

VEHICLE DETAILS

Chassis number ¹: PNE52-030802

Manufacture date: 2013-11

Make: NISSAN

Model: ELGRAND

Body: DBA-PNE52

Grade: 350 HIGHWAY STAR PREMIUM

Engine: VQ35DE

Drive: 4WD

Transmission: AT

Title information ²:  **Deregistered to Export** 

Accident / Repair:  **No problem** 

Odometer rollback:  **No problem** 

Manufacturer recall:  **No problem** 

Safety grade ³:  **★★★★★** 

Contamination risk:  **No problem** 

This vehicle does not qualify for Buyback Guarantee

Average Market Price



Unfortunately, this vehicle does not qualify for our Buyback Guarantee program.

 **¥0**

[About Buyback Guarantee](#)

This CAR VX Vehicle History Report is based only on Information supplied to CAR VX, LTD and available as of 2024-03-07 01:17:51. Other information about this vehicle, including problems, may not have been reported to CAR VX, LTD . Use this report as one important tool, along with a vehicle inspection and test drive, to make a better decision about your next used car.

ACCIDENT / REPAIR HISTORY

Problem type	Reported	Date reported	Data source	Details	Airbag
Collision	Not reported				
Malfunction	Not reported				
Theft	Not reported				
Fire damage	Not reported				
Water damage	Not reported				
Hail damage	Not reported				

ODOMETER READINGS HISTORY

Date reported	Data source	Odometer reading (Km)
2020-10-28	MLIT	73500
2022-10-31	MLIT	84800
2023-08-25	ARAI Bayside	91094
2023-11-07	USS Yokohama	91130

USE HISTORY

Use in the contaminated regions ⁴	Radioactive contamination test fail ⁵	Commercial use
Not reported	Not reported	Not reported


DETAILED HISTORY

Event date	Location	Odometer reading (Km)	Data source	Details
2013-11			NISSAN	Manufactured
2013-11			MLIT	First registration
2020-10-28		73500	MLIT	Inspection
2022-10-31	Yokohama	84800	MLIT	Inspection

2023-08-25	Kanagawa	91094	ARAI Bayside	Auctioned
2023-11-07	Kanagawa	91130	USS Yokohama	Auctioned
2023-11-24	Yokohama		MLIT	Last registration

MANUFACTURER RECALL HISTORY

Date reported	Data source	Affected part	Details
---------------	-------------	---------------	---------

 Not reported



VEHICLE ASSESSMENT ⁶

Overall Collision Safety Ratings

Driver's seat			Front passenger's seat		
Points	Evaluation	Goal average	Points	Evaluation	Goal average
35.37	★★★★★★	98%	23.33	★★★★★★	97%

* In order to accurately differentiate between the evaluations of different vehicles, a standard is set based on current technology. Up to 6 points out of 12 is given level 1 and the rest of the range is divided up into equal parts, which are respectively assigned to level 2 (more than 6 points but 7.5 or less), level 3 (more than 7.5 points but 9 or less), level 4 (more than 9 points but 10.5 or less) or level 5 (more than 10.5 points).

Braking performance tests ⁷

Dry road		40.5 m
Wet road		43.4 m

VEHICLE SPECIFICATION

1st gear ratio	2.371 ~ 0.439(MANUAL MODE ATTACHING)	2nd gear ratio	-
3rd gear ratio	-	4th gear ratio	-
5th gear ratio	-	6th gear ratio	-

Additional notes	-	Airbag position, capacity	DRIVER:FRONT:60,200 PASSENGER:FRONT:110,330
Body rear overhang	1020	Body type	MV&1BOX
Chassis number embossing position	FRONT FLOOR PANEL RIGHT SIDE	Classification code	0220
Cylinders	V6 WIDTH	Displacement	3490
Electric engine type	-	Electric engine maximum output	-
Electric engine maximum torque	-	Electric engine power	-
Engine maximum power	206/6400(NET)	Engine maximum torque	344/4400(NET)
Engine model	VQ35	Frame type	SOLID STRUCTURE
Front shaft weight	1150	Front shock absorber type	
Front stabilizer type	TORSION BAR TYPE	Front tires size	225/55R18 98V
Front tread	1.600	Fuel consumption	-
Fuel tank equipment	73	Grade	350 HIGHWAY STAR PREMIUM
Height	1.815	Length	4.915
Main brakes type	HYDRAULIC TYPE, FRONT: DISK BACK: DISK	Make	NISSAN
Maximum speed	180	Minimum ground clearance	0.150
Minimum turning radius	5.4 5.7	Model	ELGRAND
Model code	DBA-PNE52	Mufflers number	
Rear shaft weight	960	Rear shock absorber type	
Rear stabilizer type	TORSION BAR TYPE -	Rear tires size	225/55R18 98V
Rear tread	1.600	Reverse ratio	1.766
Riding capacity	7	Side brakes type	MACHINE CAR WHEEL SHAPE(DRUM TYPE)
Specification code	16579	Stopping distance	50(100)
Transmission type	AT	Weight	2110

Wheel alignment	4WD	Wheelbase	3.000
Width	1.850		

AUCTION DATA

Date: 2023-08-25, Auction: ARAI Bayside, Lot #: 3538

Date:	2023-08-25	Lot #:	3538
Auction name:	ARAI Bayside	Region:	Kanagawa
Make:	NISSAN	Model:	ELGRAND
Reg. year:	2013	Mileage (km):	91094
Displacement (cc):	3490	Transmission:	IAT
Color:	PEARL	Model code:	PNE52
Result:	sold	Auction grade:	4
Problem type:	No problem	Problem scale:	None
Contaminated:	No	Airbag:	OK

Date: 2023-11-07, Auction: USS Yokohama, Lot #: 20414

Date:	2023-11-07	Lot #:	20414
Auction name:	USS Yokohama	Region:	Kanagawa
Make:	NISSAN	Model:	ELGRAND
Reg. year:	2013	Mileage (km):	91130
Displacement (cc):	3500	Transmission:	AT
Color:	PEARL	Model code:	PNE52
Result:	available	Auction grade:	4
Problem type:	No problem	Problem scale:	None
Contaminated:	No	Airbag:	OK

PHOTOS AND AUCTION SHEETS

出品 No.	初度登録	車名・ドア・形状・グレード				評価点
03538	25年 [11月]	エルグランド 5ドア 4WD 350ハイウェイスター プレミアム				4
	モデル年式	排気量	型式	最大積載量	乗車定員	内装 外装
	年	3490 cc	DBA-PNE52	/ Kg	7 / 名	B B
車歴	シフト	セールスポイント				
車検	6年11月	冷房	ディーラー下取り 初出品 ETC VDC 両側パワーサイド ドア オートライト クルーズコントロール ステアリングスイッチ PUSH STARTシートヒーター 車検6年11月			
走行	91,094 km	燃料	G			
外装色	パール	色替	純正装備品 PS PW AW TV ESC カワパ ABS I7B 右ハンドル			
カラーNo.	QAB	後送品申告欄 (記載が無い場合、書類・機器無しと致します)	取説 スペアキー メンテノート			

買取

初出品

名義変更期限

迄

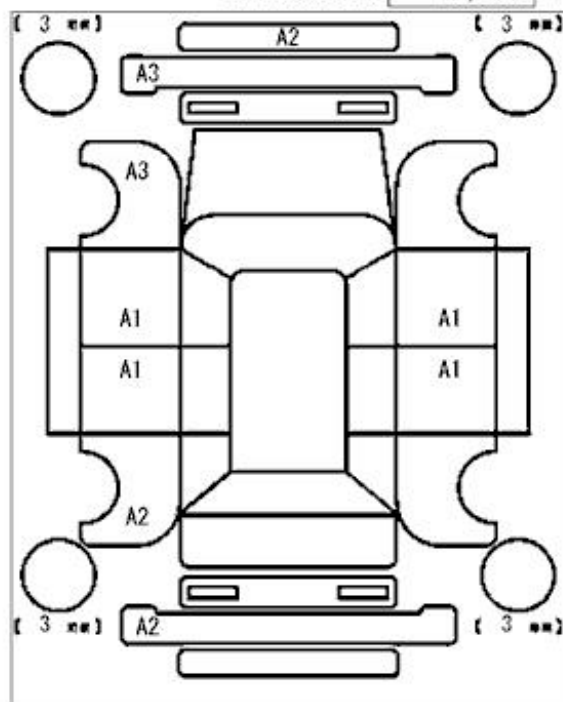
R料金預託済額

16,090

円

◎走行に関する補足事項

◎不具合箇所・注意事項

◎検査員報告
アルミホイール A

登録 No. 横浜 330 ハ 8374

車台 No. PNE52-030802

第1会場ディーラー・リース スタートダッシュコーナー



第1会場ディーラー・リース スタートダッシュコーナー



第1会場ディーラー・リース スタートダッシュコーナー



第1会場ディーラー・リース スタートダッシュコーナー



第1会場ディーラー・リース スタートダッシュコーナー



国産レギュラーコーナー

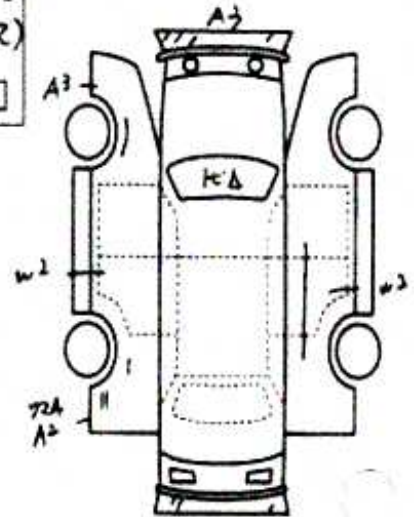
20414	車種 (車検用) 排気量	3500	型式	DBA-PNE52	PLG	4	
	登録年月 車名	25/11月 エルグランド	グレード	350i ハイブリッド プレミアム	2WD		B
車検	6年 11月	ソフト	AT	SR	AW	PS	PW
走行	91,130 km	冷房	AAC	セルシオイント			のり
外色	白	色別	QAB	<ul style="list-style-type: none"> ・X-TRAIL DTV 7L E9 ・アウターミラー ・電動ドアロック ・ナビ ・バックカメラ ・エアサス ・2+2シート 			
リサイクル	16090円	輸入国	左・右	月	日	車台	解決 390 12 8374
注意事項 (車検・不具合等のみ)				車台 390 12 8374 シリアル			
取・保・アフターサービス				PNE52-070802			

検査員報告 (USS使用欄)

10-4A 354-ZV

AW 42

25/11





¹ Chassis number – a unique identification number of the vehicle in Japan (same as VIN in the USA or Europe)

² Title information:

Registered – qualified for driving in Japan

Deregistered Temporarily – not qualified for driving in Japan, usually a temporary title during the ownership change

Deregistered Completely – not qualified for driving in Japan, the vehicle is determined to be scrapped

Deregistered to Export – not qualified for driving in Japan, the vehicle is determined to be exported

³ Determining the overall collision safety performance evaluation – For the driver's seat, the results of the full-wrap frontal collision test, offset frontal collision test, and side collision test are added together and evaluated to 6 different levels. For the Frontal passenger's seat, the results of the full-wrap frontal collision test and the side collision test (results for the driver's or the front passenger's seat are used) are added together and evaluated to 6 different levels.

Regular vehicle inspection – All vehicles in Japan must undergo regular vehicle inspections (shaken). New cars need to be tested after three years, and then vehicles must be tested every two years thereafter. A vehicle inspection (shaken) is compulsory for all vehicles with an engine size over 250cc. It ensures that all vehicles on the road are properly maintained and safe to drive. The test also checks that vehicles have not been illegally modified; if they are found to have been modified, they are not allowed on the road.

⁴ Use in the contaminated regions – The Fukushima Daiichi nuclear disaster was a catastrophic failure at the Fukushima I Nuclear Power Plant on 11 March 2011, resulting in a meltdown of three of the plant's six nuclear reactors. As a result, some areas in the following prefectures were contaminated: Fukushima, Miyagi, Ibaraki, Tochigi.

⁵ Radioactive contamination test – radioactive contamination inspection that was started in July 2011 as a preventive measure for exporting contaminated vehicles from Japan. The inspection is being conducted since in all sea ports of Japan under the supervision of The Japan Harbor Transportation Association (JHTA).

MLIT – Ministry of Land, Infrastructure, Transport and Tourism.

⁶ Japan New Car Assessment Program – the Ministry of Land, Infrastructure, Transport and Tourism (MLIT) and the National Agency for Automotive Safety & Victims' Aid (NASVA) have taken measures for safety, one of which is to assess commercially available vehicles through a variety of safety performance tests and release the resulting information compiled into the "New Car Assessment Program". The objective of Japan New Car Assessment Program is to increase the use of safe automobiles by providing an environment in which users can easily select such vehicles. This also promotes the development of safer vehicles by automobile manufacturers. Neck injury protection for rear-end collision performance test, rear seat passenger's protection for frontal collision performance test, rear passenger's seat belt usability evaluation test and seat belt reminder for passengers evaluation test are started in FY2009.

⁷ Braking Performance Tests – Braking performance is determined by the shortness of the distance in which a vehicle can stop and the stability of the vehicle at the time of braking. This test is performed under wet and dry road conditions for a vehicle which has both a driver and a front passenger. The distance it takes for the vehicle to stop and the stability of the vehicle at the time of braking is evaluated for when the vehicle is stopped abruptly while traveling at a speed of 100km/h. The stopping distance and vehicle speed have been measured by using GPS since FY2009.

CAR VX, LTD DEPENDS ON ITS SOURCES FOR THE ACCURACY AND RELIABILITY OF ITS INFORMATION. THEREFORE, NO RESPONSIBILITY IS ASSUMED BY CAR VX, LTD OR ITS AGENTS FOR ERRORS OR OMISSIONS IN THIS REPORT. CAR VX, LTD FURTHER EXPRESSLY DISCLAIMS ALL WARRANTIES, EXPRESS OR IMPLIED, INCLUDING ANY IMPLIED WARRANTIES OF MERCHANTABILITY OR FITNESS FOR A PARTICULAR PURPOSE.

© 2014-2024 Car VX Limited. All rights reserved.