

VEHICLE DETAILS

Chassis number ¹: ANH20-8269895

Manufacture date: 2013-03

Make: TOYOTA

Model: ALPHARD

Body: DBA-ANH20W

Grade: 240X

Engine: 2AZ

Drive: 2WD

Transmission: AT

Title information ²:



Deregistered to Export



Accident / Repair:



No problem



Odometer rollback:



No problem



Manufacturer recall:



No problem



Safety grade ³:



★★★★★



Contamination risk:



Problem found



This vehicle does not qualify for Buyback Guarantee

Average Market Price



Unfortunately, this vehicle does not qualify for our Buyback Guarantee program.



¥0

[About Buyback Guarantee](#)

This CAR VX Vehicle History Report is based only on Information supplied to CAR VX, LTD and available as of 2024-03-28 19:49:55. Other information about this vehicle, including problems, may not have been reported to CAR VX, LTD . Use this report as one important tool, along with a vehicle inspection and test drive, to make a better decision about your next used car.

ACCIDENT / REPAIR HISTORY

Problem type	Reported	Date reported	Data source	Details	Airbag
Collision	Not reported				
Malfunction	Not reported				
Theft	Not reported				
Fire damage	Not reported				
Water damage	Not reported				
Hail damage	Not reported				

ODOMETER READINGS HISTORY

Date reported	Data source	Odometer reading (Km)
2020-03-04	MLIT	51900
2022-02-16	MLIT	66500
2024-03-14	JU Fukushima	82782
2024-03-25	JU Kyouyuu	82782

USE HISTORY

Use in the contaminated regions ⁴	Radioactive contamination test fail ⁵	Commercial use
Reported	Not reported	Not reported

DETAILED HISTORY

Event date	Location	Odometer reading (Km)	Data source	Details
2013-03			TOYOTA	Manufactured
2013-03			MLIT	First registration
2020-03-04		51900	MLIT	Inspection
2022-02-16	Fukushima	66500	MLIT	Inspection

2024-02-29	Fukushima		MLIT	Last registration
2024-03-14	Fukushima	82782	JU Fukushima	Auctioned
2024-03-25		82782	JU Kyouyuu	Auctioned

MANUFACTURER RECALL HISTORY

Date reported	Data source	Affected part	Details
---------------	-------------	---------------	---------

 Not reported



VEHICLE ASSESSMENT ⁶

Overall Collision Safety Ratings

Driver's seat			Front passenger's seat		
Points	Evaluation	Goal average	Points	Evaluation	Goal average
32.48	★★★★★★	90%	22.74	★★★★★★	95%

* In order to accurately differentiate between the evaluations of different vehicles, a standard is set based on current technology. Up to 6 points out of 12 is given level 1 and the rest of the range is divided up into equal parts, which are respectively assigned to level 2 (more than 6 points but 7.5 or less), level 3 (more than 7.5 points but 9 or less), level 4 (more than 9 points but 10.5 or less) or level 5 (more than 10.5 points).

Braking performance tests ⁷

Dry road		45.3 m
Wet road		49.0 m

VEHICLE SPECIFICATION

1st gear ratio	2.396 ~ 0.428(MANUAL MODE ATTACHING): CONTINUOUSLY VARIABLE TRANSMISSION	2nd gear ratio	-
3rd gear ratio	-	4th gear ratio	-
5th gear ratio	-	6th gear ratio	-

Additional notes	PRXGK	Airbag position, capacity	
Body rear overhang	1015	Body type	STATION WAGON
Chassis number embossing position	FRONT FLOOR CROSSMEMBER RIGHT SIDE ON SURFACE	Classification code	0619
Cylinders	4	Displacement	2360
Electric engine type	-	Electric engine maximum output	-
Electric engine maximum torque	-	Electric engine power	-
Engine maximum power	125/6000(NET)	Engine maximum torque	224/4000(NET)
Engine model	2AZ	Frame type	SOLID STRUCTURE
Front shaft weight	1040	Front shock absorber type	
Front stabilizer type	TORSION BAR TYPE	Front tires size	215/60R16 98H
Front tread	1.555	Fuel consumption	-
Fuel tank equipment	65	Grade	240X
Height	1.890	Length	4.870
Main brakes type	HYDRAULIC TYPE, FRONT: DISK BACK: DISK	Make	TOYOTA
Maximum speed	180	Minimum ground clearance	0.160
Minimum turning radius	5.7	Model	ALPHARD
Model code	DBA-ANH20W	Mufflers number	
Rear shaft weight	810	Rear shock absorber type	
Rear stabilizer type	-	Rear tires size	215/60R16 99H
Rear tread	1.560	Reverse ratio	1.668
Riding capacity	8	Side brakes type	

Specification code	16086	Stopping distance	50(100)
Transmission type	AT	Weight	1850
Wheel alignment	2WD	Wheelbase	2.950
Width	1.830		

AUCTION DATA

Date: 2024-03-14, Auction: JU Fukushima, Lot #: 2058

Date:	2024-03-14	Lot #:	2058
Auction name:	JU Fukushima	Region:	Fukushima
Make:	TOYOTA	Model:	ALPHARD
Reg. year:	2013	Mileage (km):	82782
Displacement (cc):	2400	Transmission:	AT
Color:	BLACK	Model code:	ANH20W
Result:	sold	Auction grade:	4
Problem type:	No problem	Problem scale:	None
Contaminated:	Yes	Airbag:	OK

Date: 2024-03-25, Auction: JU Kyouyuu, Lot #: 34535

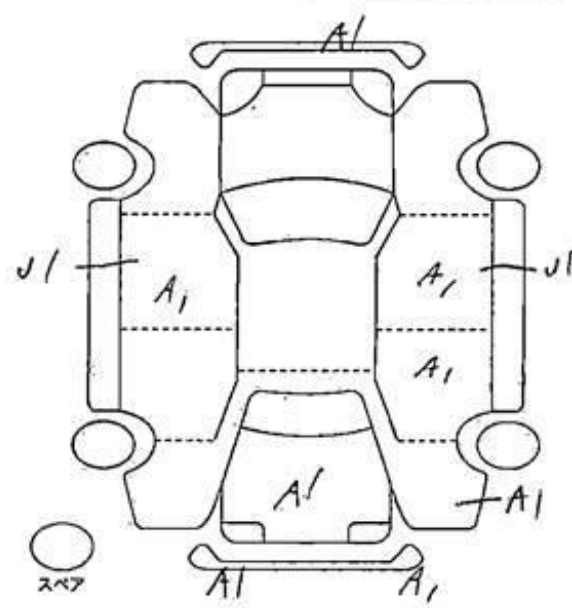
Date:	2024-03-25	Lot #:	34535
Auction name:	JU Kyouyuu	Region:	
Make:	TOYOTA	Model:	ALPHARD
Reg. year:	2013	Mileage (km):	82782
Displacement (cc):	2400	Transmission:	AT
Color:	BLACK	Model code:	ANH20W
Result:	available	Auction grade:	4
Problem type:	No problem	Problem scale:	None
Contaminated:	No	Airbag:	OK

PHOTOS AND AUCTION SHEETS

出品番号 2058	初度登録年月 25 3 月		車名・グレード アルファード 240X		2WD 4WD		評価点 4		
	型式 DBA-ANH20W		排気量 2400 cc		ドア 形状	定員 積載	ディーラー・並行人 モデル 年 年式 年 ハンドル 左・右	外装 B	内装 C
車歴 自家用・()			シフト AT		セールスポイント (正常に機能するものに限り) @ナビ、バックカメラ @両側リパークス @ソー				
車検 年 月 (日)			冷房 AAC		<div style="border: 1px solid black; padding: 5px; display: inline-block;"> 初出品コーナー AA DEBUT </div>				
走行 8万2千782 km			燃料 ガソリン 軽油						
色 ブラック		色替 202		色コード		装備品 (純正品に限り○をつけて下さい) 新車保証書 PS <input checked="" type="checkbox"/> RW <input checked="" type="checkbox"/> ABS <input checked="" type="checkbox"/> エアB <input checked="" type="checkbox"/> AW <input checked="" type="checkbox"/> SR <input checked="" type="checkbox"/> TV <input checked="" type="checkbox"/> カウ <input checked="" type="checkbox"/> 有・無			
R券 16260 円		名変期限 月 日			後日品				
注意事項申告欄 (不具合内容等は具体的に記入して下さい) ※フットパッドコンモーター (動作確認済み) ※ナビタンETC 修復歴 有 (箇所)									

検査員	FW	キズ・ 飛石 ・ヒビ割・リペア跡・X要
記入欄	内装	キズ・ 透し ・コゲ・穴・ CD ・ FL ・破レ

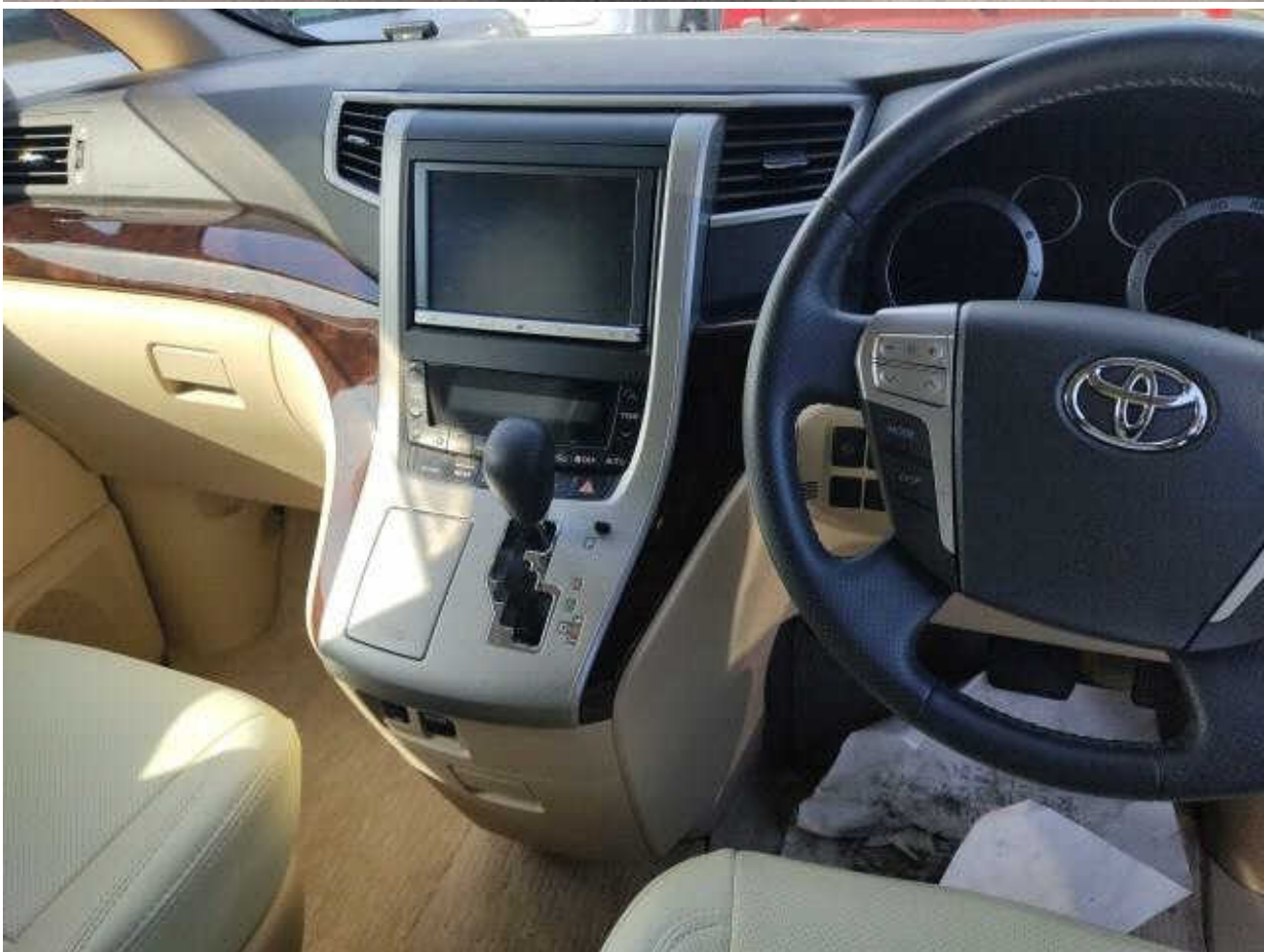
ー+ハニキ
 ーT-T
 ーキズAY
 ート 82782 km ANFZ



車台番号	ANH20-8269895		
登録番号			
A-キズ E-エグボ U-凹み W-錆跡 S-サビ C-腐食 XX-交換済 型式指定番号 参考 類別区分番号 参考 車検証用 長さ cm 幅 cm 高さ cm			







出品番号 (T1) 202403 04992	初度登録年月 25 年 3 月	車名・グレード アルファード 240X	2WD 4WD	評価点 4		
型式 DBA-ANH20W	排気量 2400 cc	ドア 形状	定員 積載	ティーラー・並行人 モデル年式 ハンドル 左・右	外装 B	内装 C

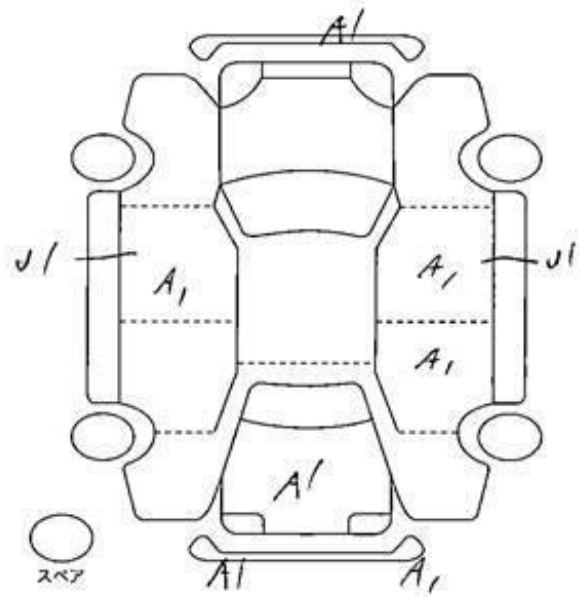
車歴 自家用・()	シフト AT	セールスポイント (正常に機能するものに限ります) @ナビ、バックカメラ @両側リパークス @サナー	
車検 年 月 (日)	冷房 AAC	<div style="border: 1px solid black; padding: 5px; text-align: center;"> 初出品コーナー AA DEBUT </div>	
走行 8万2千782 km	燃料 ガソリン 軽油		
色 ブラック	色替 202	色コード 202	燃料 軽油
R券 16260 円	名変期限 月 日	後日品	
注意事項申告欄 (不具合内容等は具体的に記入して下さい) *フットパッドセンサー (動作確認済み) *ナビインETC			
修復歴 有 (箇所)			

検査員 記入欄	FW キズ・ 飛石 ・ヒビ割・リペア跡・X要 内装 キズ・ 透レ ・コゲ・穴・ CD ・ FD ・破レ
------------	------------------------------------------------------------------------------------

ナビ
 AT-T
 N-キズAV
 計 82782 km ANFZ:

車台番号 ANH20-8269895
登録番号

装備品 (純正品に限り○をつけて下さい)					新車保証書 有・無
<input checked="" type="checkbox"/> PS	<input checked="" type="checkbox"/> RW	<input checked="" type="checkbox"/> ABS	<input checked="" type="checkbox"/> エアB	<input checked="" type="checkbox"/> AW	有・無
<input checked="" type="checkbox"/> SR	<input checked="" type="checkbox"/> カ	<input checked="" type="checkbox"/> TV	<input checked="" type="checkbox"/> カワ	<input type="checkbox"/>	



A-キズ E-エクボ U-凹み W-錆跡 S-サビ C-腐食 XX-交換済

型式指定番号 参考	類別区分番号 参考		
車庫証明用 参考	長さ cm	幅 cm	高さ cm



¹ Chassis number – a unique identification number of the vehicle in Japan (same as VIN in the USA or Europe)

² Title information:

Registered – qualified for driving in Japan

Deregistered Temporarily – not qualified for driving in Japan, usually a temporary title during the ownership change

Deregistered Completely – not qualified for driving in Japan, the vehicle is determined to be scrapped

Deregistered to Export – not qualified for driving in Japan, the vehicle is determined to be exported

³ Determining the overall collision safety performance evaluation – For the driver's seat, the results of the full-wrap frontal collision test, offset frontal collision test, and side collision test are added together and evaluated to 6 different levels. For the Frontal passenger's seat, the results of the full-wrap frontal collision test and the side collision test (results for the driver's or the front passenger's seat are used) are added together and evaluated to 6 different levels.

Regular vehicle inspection – All vehicles in Japan must undergo regular vehicle inspections (shaken). New cars need to be tested after three years, and then vehicles must be tested every two years thereafter. A vehicle inspection (shaken) is compulsory for all vehicles with an engine size over 250cc. It ensures that all vehicles on the road are properly maintained and safe to drive. The test also checks that vehicles have not been illegally modified; if they are found to have been modified, they are not allowed on the road.

⁴ Use in the contaminated regions – The Fukushima Daiichi nuclear disaster was a catastrophic failure at the Fukushima I Nuclear Power Plant on 11 March 2011, resulting in a meltdown of three of the plant's six nuclear reactors. As a result, some areas in the following prefectures were contaminated: Fukushima, Miyagi, Ibaraki, Tochigi.

⁵ Radioactive contamination test – radioactive contamination inspection that was started in July 2011 as a preventive measure for exporting contaminated vehicles from Japan. The inspection is being conducted since in all sea ports of Japan under the supervision of The Japan Harbor Transportation Association (JHTA).

MLIT – Ministry of Land, Infrastructure, Transport and Tourism.

⁶ Japan New Car Assessment Program – the Ministry of Land, Infrastructure, Transport and Tourism (MLIT) and the National Agency for Automotive Safety & Victims' Aid (NASVA) have taken measures for safety, one of which is to assess commercially available vehicles through a variety of safety performance tests and release the resulting information compiled into the "New Car Assessment Program". The objective of Japan New Car Assessment Program is to increase the use of safe automobiles by providing an environment in which users can easily select such vehicles. This also promotes the development of safer vehicles by automobile manufacturers. Neck injury protection for rear-end collision performance test, rear seat passenger's protection for frontal collision performance test, rear passenger's seat belt usability evaluation test and seat belt reminder for passengers evaluation test are started in FY2009.

⁷ Braking Performance Tests – Braking performance is determined by the shortness of the distance in which a vehicle can stop and the stability of the vehicle at the time of braking. This test is performed under wet and dry road conditions for a vehicle which has both a driver and a front passenger. The distance it takes for the vehicle to stop and the stability of the vehicle at the time of braking is evaluated for when the vehicle is stopped abruptly while traveling at a speed of 100km/h. The stopping distance and vehicle speed have been measured by using GPS since FY2009.

CAR VX, LTD DEPENDS ON ITS SOURCES FOR THE ACCURACY AND RELIABILITY OF ITS INFORMATION. THEREFORE, NO RESPONSIBILITY IS ASSUMED BY CAR VX, LTD OR ITS AGENTS FOR ERRORS OR OMISSIONS IN THIS REPORT. CAR VX, LTD FURTHER EXPRESSLY DISCLAIMS ALL WARRANTIES, EXPRESS OR IMPLIED, INCLUDING ANY IMPLIED WARRANTIES OF MERCHANTABILITY OR FITNESS FOR A PARTICULAR PURPOSE.

© 2014-2024 Car VX Limited. All rights reserved.