



Vehicle History Report

VEHICLE DETAILS

Chassis number ¹: WDD1760522J140385

Manufacture date: 2013-07-05

Make: MERCEDES BENZ

Model: A CLASS

Body: CBA-176052

Grade: A45 AMG 4MATIC EDITION 1

Engine: 133

Drive: 4WD

Transmission: AT

Title information ²:  **Deregistered to Export** 

Accident / Repair:  **No problem** 

Odometer rollback:  **No problem** 

Manufacturer recall:  **No problem** 

Safety grade ³:  **No data** 

Contamination risk:  **No problem** 

This CAR VX Vehicle History Report is based only on Information supplied to CAR VX, LTD and available as of 2025-07-23 08:25:29. Other information about this vehicle, including problems, may not have been reported to CAR VX, LTD . Use this report as one important tool, along with a vehicle inspection and test drive, to make a better decision about your next used car.

ACCIDENT / REPAIR HISTORY

Problem type	Reported	Date reported	Data source	Details	Airbag
Collision	Not reported				
Malfunction	Not reported				
Theft	Not reported				
Fire damage	Not reported				
Water damage	Not reported				
Hail damage	Not reported				

ODOMETER READINGS HISTORY

Date reported	Data source	Odometer reading (Km)
2021-10-12	USS Yokohama	85050
2022-03-16	Guliver Oneprice	85154
2022-09-05	MLIT	89800
2024-09-03	MLIT	97200
2025-07-04	USS Nagoya	98610

USE HISTORY


Use in the contaminated regions ⁴	Radioactive contamination test fail ⁵	Commercial use
Not reported	Not reported	Not reported

DETAILED HISTORY

Event date	Location	Odometer reading (Km)	Data source	Details
2013-07-05			MERCEDES BENZ	Manufactured
2013-08			MLIT	First registration
2021-10-12	Kanagawa	85050	USS Yokohama	Auctioned

2022-03-16		85154	Guliver Oneprice	Auctioned
2022-09-05		89800	MLIT	Inspection
2024-09-03	Fukuoka	97200	MLIT	Inspection
2025-07-04	Aichi	98610	USS Nagoya	Auctioned
2025-07-14	Fukuoka		MLIT	Last registration

MANUFACTURER RECALL HISTORY

Date reported	Data source	Affected part	Details
 Not reported			

VEHICLE ASSESSMENT ⁶

Overall Collision Safety Ratings

Driver's seat			Front passenger's seat		
Points	Evaluation	Goal average	Points	Evaluation	Goal average
0		0%	0		0%

* In order to accurately differentiate between the evaluations of different vehicles, a standard is set based on current technology. Up to 6 points out of 12 is given level 1 and the rest of the range is divided up into equal parts, which are respectively assigned to level 2 (more than 6 points but 7.5 or less), level 3 (more than 7.5 points but 9 or less), level 4 (more than 9 points but 10.5 or less) or level 5 (more than 10.5 points).

Braking performance tests ⁷



VEHICLE SPECIFICATION

1st gear ratio

2nd gear ratio

3rd gear ratio

4th gear ratio

5th gear ratio		6th gear ratio	
Additional notes		Airbag position, capacity	
Body rear overhang		Body type	HATCHBACK
Chassis number embossing position		Classification code	12
Cylinders	4	Displacement	1990
Electric engine type		Electric engine maximum output	
Electric engine maximum torque		Electric engine power	
Engine maximum power	360ps(265kW)/6000rpm	Engine maximum torque	45.9kg·m(450N·m)/2250 ~ 5000rpm
Engine model	133	Frame type	
Front shaft weight	970	Front shock absorber type	
Front stabilizer type		Front tires size	235/35R19
Front tread	1555	Fuel consumption	
Fuel tank equipment	56	Grade	A45 AMG 4MATIC EDITION 1
Height	142	Length	435
Main brakes type		Make	MERCEDES BENZ
Maximum speed		Minimum ground clearance	
Minimum turning radius	5.1	Model	A CLASS
Model code	CBA-176052	Mufflers number	
Rear shaft weight	590	Rear shock absorber type	
Rear stabilizer type		Rear tires size	235/35R19
Rear tread	1560	Reverse ratio	
Riding capacity	5	Side brakes type	
Specification code	17585	Stopping distance	
Transmission type	AT	Weight	1560
Wheel alignment	4WD	Wheelbase	2699

AUCTION DATA

Date: 2021-10-12, Auction: USS Yokohama, Lot #: 90055

Date:	2021-10-12	Lot #:	90055
Auction name:	USS Yokohama	Region:	Kanagawa
Make:	MERCEDES BENZ	Model:	A CLASS
Reg. year:	2013	Mileage (km):	85050
Displacement (cc):	2000	Transmission:	AT
Color:	WHITE	Model code:	176052
Result:	available	Auction grade:	4
Problem type:	No problem	Problem scale:	None
Contaminated:	No	Airbag:	OK

Date: 2022-03-16, Auction: Guliver Oneprice, Lot #: 4238

Date:	2022-03-16	Lot #:	4238
Auction name:	Guliver Oneprice	Region:	
Make:	MERCEDES BENZ	Model:	A CLASS
Reg. year:	2013	Mileage (km):	85154
Displacement (cc):	2000	Transmission:	FAT
Color:	WHITE	Model code:	176052
Result:	available	Auction grade:	4
Problem type:	No problem	Problem scale:	None
Contaminated:	No	Airbag:	OK

Date: 2025-07-04, Auction: USS Nagoya, Lot #: 58400

Date:	2025-07-04	Lot #:	58400
Auction name:	USS Nagoya	Region:	Aichi
Make:	MERCEDES BENZ	Model:	AMG A CLASS

Reg. year:	2013	Mileage (km):	98610
Displacement (cc):	2000	Transmission:	FA
Color:	WHITE	Model code:	176052
Result:	available	Auction grade:	4
Problem type:	No problem	Problem scale:	None
Contaminated:	No	Airbag:	OK

PHOTOS AND AUCTION SHEETS

ヤナセ輸入コーナー

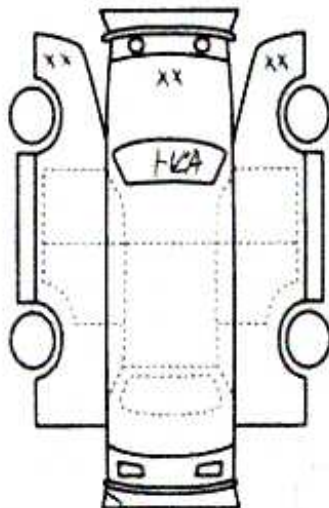
90055	車種 (日本用以外は記入) 百家用	排気量 1,990	型式 CBA-176052		4 内装 B
	初年度登録年月 25/8月	車名 メルセデスベンツ	グレード 5	AWD 4M Edition I	
車検 4年9月	シフト AT	駆動方式 2WD	燃費 S R A W R L S R W D T V X B	セールスポイント スペアキー ワンオーナー	
走行 85,050 Km	冷房 AC	エアコン 有・無	販売店 有・無		
外色 シロ	カラー 650	名義変更 有・無	名義変更 月 日		
燃料 ガソリン	輸入区分 デター並行	ハンドル 左・右	リサイクル 19,630 円	登録地 横浜	305 2167
車台号 WDD1760522J140385			シリアル号		

BOX (5ヶ所)

手、取

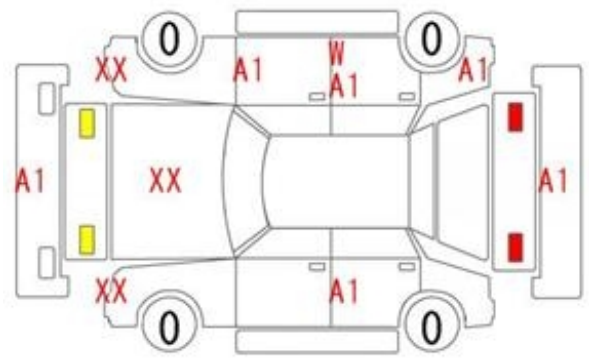
○検査員報告 (USS使用欄)

シ-137
112412V
オ-11キス



【荷台内寸法】 X X (cm)

長さ cm 幅 cm 高さ cm ← (車検上の寸法) スベア





Gulliver



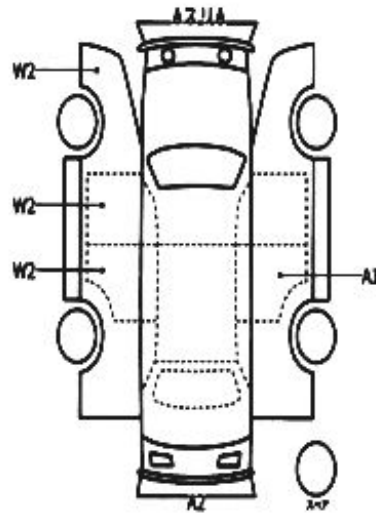
輸入車プライムコーナー

58400	車種 (車検用以外は記入)	排気量	型式	年式
		2000	CBA-176052	4
初年度登録年月	車名	グレード	駆動	内装
H25/8月	メルセデスAMG Aクラス	5D M5 4マチック エディション1	4WD	B
車検	R 8年 9月 7日	シフト	FAT	燃費
走行	98,610 km	冷房	AAC	SR カワ
外色	色番	カラー	650	純正 TV
色	ホワイト	ブラック系	有	PS ナビ
燃料	ガソリン	販売店	ディーラー	PI エア
車種	輸入区分	ハンドル	右	セールスポイント
ディーラー				19インチAM レッドブレーキキャリパー ナビ フルセグ バックカメラ DVD Bluetoothオーディオ レザーシート レッドシートベルト シートヒーター ディストロニックプラス ブラインドスポットアシスト 衝突防止アシストプラス アテンションアシスト スベアキー車内検込 全額600台限定車 AMGパフォーマンスシート
リサイクル 標記金	19,630円	乗車定員	5人	重量
○注意事項 (詳細・不具合等はおよびお問い合わせ)				300の4385
				車台号
				WDD1760522J1140385
				シリアル

H26 H27 H28 H29 H30 R1 R2 R4 R6配線等
保証書 取扱 ナビ取扱 専用ケース

○検査員報告

- ルーム内一部汚れキズ
- シートシワスレ
- ホイールキズ
- 小キズ小凹補修ムラ



※台内寸約	X	X	(cm)
長さ	435 cm	幅	179 cm
		高さ	142 cm

¹ Chassis number – a unique identification number of the vehicle in Japan (same as VIN in the USA or Europe)

² Title information:

Registered – qualified for driving in Japan

Deregistered Temporarily – not qualified for driving in Japan, usually a temporary title during the ownership change

Deregistered Completely – not qualified for driving in Japan, the vehicle is determined to be scrapped

Deregistered to Export – not qualified for driving in Japan, the vehicle is determined to be exported

³ Determining the overall collision safety performance evaluation – For the driver's seat, the results of the full-wrap frontal collision test, offset frontal collision test, and side collision test are added together and evaluated to 6 different levels. For the Frontal passenger's seat, the results of the full-wrap frontal collision test and the side collision test (results for the driver's or the front passenger's seat are used) are added together and evaluated to 6 different levels.

Regular vehicle inspection – All vehicles in Japan must undergo regular vehicle inspections (shaken). New cars need to be tested after three years, and then vehicles must be tested every two years thereafter. A vehicle inspection (shaken) is compulsory for all vehicles with an engine size over 250cc. It ensures that all vehicles on the road are properly maintained and safe to drive. The test also checks that vehicles have not been illegally modified; if they are found to have been modified, they are not allowed on the road.

⁴ Use in the contaminated regions – The Fukushima Daiichi nuclear disaster was a catastrophic failure at the Fukushima I Nuclear Power Plant on 11 March 2011, resulting in a meltdown of three of the plant's six nuclear reactors. As a result, some areas in the following prefectures were contaminated: Fukushima, Miyagi, Ibaraki, Tochigi.

⁵ Radioactive contamination test – radioactive contamination inspection that was started in July 2011 as a preventive measure for exporting contaminated vehicles from Japan. The inspection is being conducted since in all sea ports of Japan under the supervision of The Japan Harbor Transportation Association (JHTA).

MLIT – Ministry of Land, Infrastructure, Transport and Tourism.

⁶ Japan New Car Assessment Program – the Ministry of Land, Infrastructure, Transport and Tourism (MLIT) and the National Agency for Automotive Safety & Victims' Aid (NASVA) have taken measures for safety, one of which is to assess commercially available vehicles through a variety of safety performance tests and release the resulting information compiled into the "New Car Assessment Program". The objective of Japan New Car Assessment Program is to increase the use of safe automobiles by providing an environment in which users can easily select such vehicles. This also promotes the development of safer vehicles by automobile manufacturers. Neck injury protection for rear-end collision performance test, rear seat passenger's protection for frontal collision performance test, rear passenger's seat belt usability evaluation test and seat belt reminder for passengers evaluation test are started in FY2009.

⁷ Braking Performance Tests – Braking performance is determined by the shortness of the distance in which a vehicle can stop and the stability of the vehicle at the time of braking. This test is performed under wet and dry road conditions for a vehicle which has both a driver and a front passenger. The distance it takes for the vehicle to stop and the stability of the vehicle at the time of braking is evaluated for when the vehicle is stopped abruptly while traveling at a speed of 100km/h. The stopping distance and vehicle speed have been measured by using GPS since FY2009.

CAR VX, LTD DEPENDS ON ITS SOURCES FOR THE ACCURACY AND RELIABILITY OF ITS INFORMATION. THEREFORE, NO RESPONSIBILITY IS ASSUMED BY CAR VX, LTD OR ITS AGENTS FOR ERRORS OR OMISSIONS IN THIS REPORT. CAR VX, LTD FURTHER EXPRESSLY DISCLAIMS ALL WARRANTIES, EXPRESSED OR IMPLIED, INCLUDING ANY IMPLIED WARRANTIES OF MERCHANTABILITY OR FITNESS FOR A PARTICULAR PURPOSE.

© 2014-2025 Car VX Limited. All rights reserved.