

CAR



Vehicle History Report

VEHICLE DETAILS

Chassis number ¹: Z12-075365

Manufacture date: 2009-11

Make: NISSAN

Model: CUBE

Body: DBA-Z12

Grade: 15G

Engine: HR15

Drive: 2WD


Transmission: AT

Title information ²:  **Deregistered to Export** 

Accident / Repair:  **No problem** 

Odometer rollback:  **No problem** 

Manufacturer recall:  **No problem** 

Safety grade ³:  **★★★★★** 

Contamination risk:  **Problem found** 

This vehicle does not qualify for Buyback Guarantee

Average Market Price



Unfortunately, this vehicle does not qualify for our Buyback Guarantee program.



¥270,000

[About Buyback Guarantee](#)

This CAR VX Vehicle History Report is based only on Information supplied to CAR VX, LTD and available as of 2023-02-07 21:06:27. Other information about this vehicle, including problems, may not have been reported to CAR VX, LTD . Use this report as one important tool, along with a vehicle inspection and test drive, to make a better decision about your next used car.

ACCIDENT / REPAIR HISTORY

Problem type	Reported	Date reported	Data source	Details	Airbag
Collision	Not reported				
Malfunction	Not reported				
Theft	Not reported				
Fire damage	Not reported				
Water damage	Not reported				
Hail damage	Not reported				

ODOMETER READINGS HISTORY

Date reported	Data source	Odometer reading (Km)
2018-11-26	MLIT	81500
2020-11-16	MLIT	99800
2022-12-15	JU Fukushima	123169


USE HISTORY

Use in the contaminated regions ⁴	Radioactive contamination test fail ⁵	Commercial use
Reported	Not reported	Not reported

DETAILED HISTORY

Event date	Location	Odometer reading (Km)	Data source	Details
2009-11			NISSAN	Manufactured
2009-11			MLIT	First registration
2018-11-26		81500	MLIT	Inspection
2020-11-16	Tochigi	99800	MLIT	Inspection
2022-12-05	Tochigi		MLIT	Last registration

MANUFACTURER RECALL HISTORY

Date reported	Data source	Affected part	Details
 Not reported			

VEHICLE ASSESSMENT ⁶

Overall Collision Safety Ratings

Driver's seat			Front passenger's seat		
Points	Evaluation	Goal average	Points	Evaluation	Goal average
33.36	★★★★★	93%	22.46	★★★★★	94%

* In order to accurately differentiate between the evaluations of different vehicles, a standard is set based on current technology. Up to 6 points out of 12 is given level 1 and the rest of the range is divided up into equal parts, which are respectively assigned to level 2 (more than 6 points but 7.5 or less), level 3 (more than 7.5 points but 9 or less), level 4 (more than 9 points but 10.5 or less) or level 5 (more than 10.5 points).

Braking performance tests ⁷

Dry road



45.6 m

Wet road



50.0 m

VEHICLE SPECIFICATION

1st gear ratio 2.561 ~ 0.427

2nd gear ratio -

3rd gear ratio -

4th gear ratio -

5th gear ratio -

6th gear ratio -

Additional notes -

Airbag position, capacity -

Body rear overhang 560

Body type STATION WAGON

Chassis number embossing position	COWL TOP PANEL RIGHT SIDE	Classification code	0047
Cylinders	4	Displacement	1490
Electric engine type	-	Electric engine maximum output	-
Electric engine maximum torque	-	Electric engine power	-
Engine maximum power	80/6000(NET)	Engine maximum torque	148/4400(NET)
Engine model	HR15	Frame type	SOLID STRUCTURE
Front shaft weight	730	Front shock absorber type	
Front stabilizer type	TORSION BAR TYPE	Front tires size	195/55R16 87V
Front tread	1.475	Fuel consumption	20.0
Fuel tank equipment	45	Grade	15G
Height	1.680	Length	3.890
Main brakes type	HYDRAULIC TYPE, FRONT: DISK BACK: LEADING TRAILING	Make	NISSAN
Maximum speed	170(推定)	Minimum ground clearance	0.160
Minimum turning radius	5.0	Model	CUBE
Model code	DBA-Z12	Mufflers number	
Rear shaft weight	480	Rear shock absorber type	
Rear stabilizer type	TORSION BAR TYPE	Rear tires size	195/55R16 87V
Rear tread	1.480	Reverse ratio	2.619
Riding capacity	5	Side brakes type	MACHINE CAR WHEEL 制動 SHAPE(DRUM TYPE)
Specification code	16207	Stopping distance	62(100)
Transmission type	AT	Weight	1210

Wheel alignment 2WD

Wheelbase 2.530

Width 1.695

AUCTION DATA

Date: 2022-12-15, Auction: JU Fukushima, Lot #: 2136

Date:	2022-12-15	Lot #:	2136
Auction name:	JU Fukushima	Region:	Fukushima
Make:	NISSAN	Model:	CUBE
Reg. year:	2009	Mileage (km):	123169
Displacement (cc):	1500	Transmission:	CA
Color:	PEARL	Model code:	Z12
Result:	sold	Auction grade:	4
Problem type:	No problem	Problem scale:	None
Contaminated:	Yes	Airbag:	OK

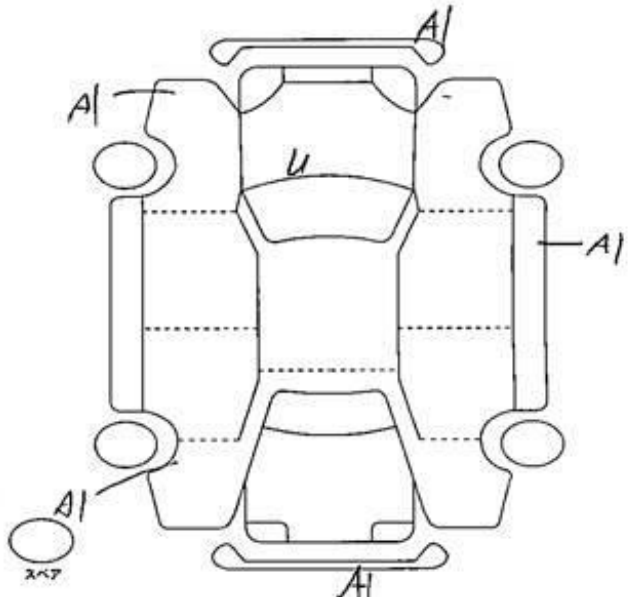
PHOTOS AND AUCTION SHEETS

出品番号 2136	初度登録年月 平成 21 年 11 月	車名・グレード キューブ 15G	2WD 4WD		評価点 4
	型式 DBA-Z12	排気量 1500 CC	ドア 5	定員 5 人	ディーラー・並行 外装 内装
車種 自家用	シフト CAT	セールスポイント(正常に機能するものに限ります)			
車検 年 月 (日)	冷房 AAC	ナビ・テレビ・バックカメラ			
走行 12万3千169 km	燃料 ガソリン	スタイリッシュガラスルーフ			
色 ホワイトパール	色コード QX1	ETC プッシュスタート			
R券 10,190 円	名変期限 月 日	<input type="checkbox"/> PS <input type="checkbox"/> PW <input type="checkbox"/> ABS <input type="checkbox"/> E7B <input type="checkbox"/> AW <input type="checkbox"/> SR <input type="checkbox"/> ナビ <input type="checkbox"/> TV <input type="checkbox"/> カワ			新車保証書 有・無
注意事項申告欄 (不具合内容等は具体的に記入して下さい)		後日品			

初出品コーナー
AA DEBUT

修復歴 有 [箇所]

検査員記入欄
FW キズ・飛石・ヒビ割・リペア跡・×要
内装 キズ・汚レ・コゲ・穴・スレ・キレ・破



A/W 軽
山崎 AU
123170km
T-24 S1

車台番号	075365	型式指定番号 参考	16207	類別区分番号 参考	0047
登録番号		車庫証明用 参考	長さ 389 cm	幅 169 cm	高さ 168 cm

A-キズ E-エクボ U-凹み W-補修跡 S-サビ C-腐食 XX-交換済







1 Chassis number – a unique identification number of the vehicle in Japan (same as VIN in the USA or Europe)

2 Title information:

Registered – qualified for driving in Japan

Deregistered Temporarily – not qualified for driving in Japan, usually a temporary title during the ownership change

Deregistered Completely – not qualified for driving in Japan, the vehicle is determined to be scrapped

Deregistered to Export – not qualified for driving in Japan, the vehicle is determined to be exported

3 Determining the overall collision safety performance evaluation – For the driver's seat, the results of the full-wrap frontal collision test, offset frontal collision test, and side collision test are added together and evaluated to 6 different levels. For the Frontal passenger's seat, the results of the full-wrap frontal collision test and the side collision test (results for the driver's or the front passenger's seat are used) are added together and evaluated to 6 different levels.

Regular vehicle inspection – All vehicles in Japan must undergo regular vehicle inspections (shaken). New cars need to be tested after three years, and then vehicles must be tested every two years thereafter. A vehicle inspection (shaken) is compulsory for all vehicles with an engine size over 250cc. It ensures that all vehicles on the road are properly maintained and safe to drive. The test also checks that vehicles have not been illegally modified; if they are found to have been modified, they are not allowed on the road.

4 Use in the contaminated regions – The Fukushima Daiichi nuclear disaster was a catastrophic failure at the Fukushima I Nuclear Power Plant on 11 March 2011, resulting in a meltdown of three of the plant's six nuclear reactors. As a result, some areas in the following prefectures were contaminated: Fukushima, Miyagi, Ibaraki, Tochigi.

5 Radioactive contamination test – radioactive contamination inspection that was started in July 2011 as a preventive measure for exporting contaminated vehicles from Japan. The inspection is being conducted since in all sea ports of Japan under the supervision of The Japan Harbor Transportation Association (JHTA).

MLIT – Ministry of Land, Infrastructure, Transport and Tourism.

6 Japan New Car Assessment Program – the Ministry of Land, Infrastructure, Transport and Tourism (MLIT) and the National Agency for Automotive Safety & Victims' Aid (NASVA) have taken measures for safety, one of which is to assess commercially available vehicles through a variety of safety performance tests and release the resulting information compiled into the "New Car Assessment Program". The objective of Japan New Car Assessment Program is to increase the use of safe automobiles by providing an environment in which users can easily select such vehicles. This also promotes the development of safer vehicles by automobile manufacturers. Neck injury protection for rear-end collision performance test, rear seat passenger's protection for frontal collision performance test, rear passenger's seat belt usability evaluation test and seat belt reminder for passengers evaluation test are started in FY2009.

7 Braking Performance Tests – Braking performance is determined by the shortness of the distance in which a vehicle can stop and the stability of the vehicle at the time of braking. This test is performed under wet and dry road conditions for a vehicle which has both a driver and a front passenger. The distance it takes for the vehicle to stop and the stability of the vehicle at the time of braking is evaluated for when the vehicle is stopped abruptly while traveling at a speed of 100km/h. The stopping distance and vehicle speed have been measured by using GPS since FY2009.

CAR VX, LTD DEPENDS ON ITS SOURCES FOR THE ACCURACY AND RELIABILITY OF ITS INFORMATION. THEREFORE, NO RESPONSIBILITY IS ASSUMED BY CAR VX, LTD OR ITS AGENTS FOR ERRORS OR OMISSIONS IN THIS REPORT. CAR VX, LTD FURTHER EXPRESSLY DISCLAIMS ALL WARRANTIES, EXPRESS OR IMPLIED, INCLUDING ANY IMPLIED WARRANTIES OF MERCHANTABILITY OR FITNESS FOR A PARTICULAR PURPOSE.

© 2014-2023 Car VX Limited. All rights reserved.