

VEHICLE DETAILS

Chassis number ¹: Z12-207153

Manufacture date: 2012-06

Make: NISSAN

Model: CUBE

Body: DBA-Z12

Grade: 15X INDIGO + PLASMA

Engine: HR15

Drive: 2WD

Transmission: AT

Title information ²:  **Registered** 

Accident / Repair:  **No problem** 

Odometer rollback:  **No problem** 

Manufacturer recall:  **No problem** 

Safety grade ³:  **★★★★★** 

Contamination risk:  **No problem** 

This vehicle does not qualify for Buyback Guarantee



Unfortunately, this vehicle does not qualify for our Buyback Guarantee program.

[About Buyback Guarantee](#)

Average Market Price



¥260,000

This CAR VX Vehicle History Report is based only on Information supplied to CAR VX, LTD and available as of 2023-02-17 17:59:11. Other information about this vehicle, including problems, may not have been reported to CAR VX, LTD . Use this report as one important tool, along with a vehicle inspection and test drive, to make a better decision about your next used car.

ACCIDENT / REPAIR HISTORY

Problem type	Reported	Date reported	Data source	Details	Airbag
Collision	Not reported				
Malfunction	Not reported				
Theft	Not reported				
Fire damage	Not reported				
Water damage	Not reported				
Hail damage	Not reported				

ODOMETER READINGS HISTORY

Date reported	Data source	Odometer reading (Km)
2013-06-27	NAA Osaka	5323
2019-06-10	MLIT	56400
2021-05-28	MLIT	68900
2023-02-16	MIRIVE Osaka	82671

USE HISTORY

Use in the contaminated regions ⁴	Radioactive contamination test fail ⁵	Commercial use
Not reported	Not reported	Not reported


DETAILED HISTORY

Event date	Location	Odometer reading (Km)	Data source	Details
2012-06			NISSAN	Manufactured
2012-06			MLIT	First registration
2013-06-27	Osaka	5323	NAA Osaka	Auctioned
2013-08-22	Mie		MLIT	Last registration

2019-06-10		56400	MLIT	Inspection
2021-05-28	Mie	68900	MLIT	Inspection
2023-02-16	Osaka	82671	MIRIVE Osaka	Auctioned

MANUFACTURER RECALL HISTORY

Date reported	Data source	Affected part	Details
---------------	-------------	---------------	---------

 Not reported

VEHICLE ASSESSMENT ⁶

Overall Collision Safety Ratings

Driver's seat			Front passenger's seat		
Points	Evaluation	Goal average	Points	Evaluation	Goal average
33.36	★★★★★★	93%	22.46	★★★★★★	94%

* In order to accurately differentiate between the evaluations of different vehicles, a standard is set based on current technology. Up to 6 points out of 12 is given level 1 and the rest of the range is divided up into equal parts, which are respectively assigned to level 2 (more than 6 points but 7.5 or less), level 3 (more than 7.5 points but 9 or less), level 4 (more than 9 points but 10.5 or less) or level 5 (more than 10.5 points).

Braking performance tests ⁷

Dry road 

Wet road 

VEHICLE SPECIFICATION

1st gear ratio	2.561 ~ 0.427	2nd gear ratio	-
3rd gear ratio	-	4th gear ratio	-
5th gear ratio	-	6th gear ratio	-
Additional notes	-	Airbag position, capacity	-

Body rear overhang	560	Body type	STATION WAGON
Chassis number embossing position	COWL TOP PANEL RIGHT SIDE	Classification code	0029
Cylinders	4	Displacement	1490
Electric engine type	-	Electric engine maximum output	-
Electric engine maximum torque	-	Electric engine power	-
Engine maximum power	80/6000(NET)	Engine maximum torque	148/4400(NET)
Engine model	HR15	Frame type	SOLID STRUCTURE
Front shaft weight	720	Front shock absorber type	
Front stabilizer type	TORSION BAR TYPE	Front tires size	175/65R15 84S
Front tread	1.480	Fuel consumption	20.0
Fuel tank equipment	45	Grade	15X INDIGO + PLASMA
Height	1.650	Length	3.890
Main brakes type	HYDRAULIC TYPE, FRONT: DISK BACK: LEADING TRAILING	Make	NISSAN
Maximum speed	170(推定)	Minimum ground clearance	0.160
Minimum turning radius	4.6	Model	CUBE
Model code	DBA-Z12	Mufflers number	
Rear shaft weight	460	Rear shock absorber type	
Rear stabilizer type	TORSION BAR TYPE	Rear tires size	175/65R15 84S
Rear tread	1.485	Reverse ratio	2.619
Riding capacity	5	Side brakes type	MACHINE CAR WHEEL 制動 SHAPE(DRUM TYPE)
Specification code	16207	Stopping distance	62(100)

Transmission type	AT	Weight	1180
Wheel alignment	2WD	Wheelbase	2.530
Width	1.695		

AUCTION DATA

Date: 2013-06-27, Auction: NAA Osaka, Lot #: 1098

Date:	2013-06-27	Lot #:	1098
Auction name:	NAA Osaka	Region:	Osaka
Make:	NISSAN	Model:	CUBE
Reg. year:	2012	Mileage (km):	5323
Displacement (cc):	1500	Transmission:	CAT
Color:	SAPPHIRE BLACK	Model code:	Z12
Result:	sold	Auction grade:	5
Problem type:	No problem	Problem scale:	None
Contaminated:	No	Airbag:	OK

Date: 2023-02-16, Auction: MIRIVE Osaka, Lot #: 70361

Date:	2023-02-16	Lot #:	70361
Auction name:	MIRIVE Osaka	Region:	Osaka
Make:	NISSAN	Model:	CUBE
Reg. year:	2012	Mileage (km):	82671
Displacement (cc):	1500	Transmission:	AT
Color:	BLACK	Model code:	Z12
Result:	sold	Auction grade:	4
Problem type:	No problem	Problem scale:	None
Contaminated:	No	Airbag:	OK

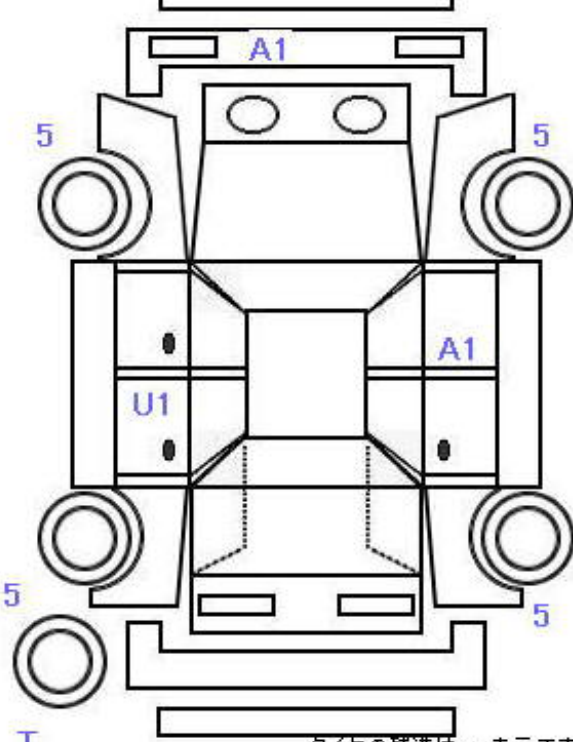
PHOTOS AND AUCTION SHEETS

年式	初年度登録	登録月	車名	ドア・タイプ	排気量	燃料
24	06	06	キューブ グレード 15X インテイク プラスプラス	5Bワゴン	1500 CC	G
ソフト	CAT	外装色	色番 (B20) サファイアブラック	内装色 (6) グレー	走行	[] 推定
					5,323 km	千km
車種	外車	年行	登録	型式		
	形態	ハンドル	No. 27年06月	DBA-Z12		
			神戸503-7559	Z12-207153		
乗車	5	乗員	保証	後	書類	期限
定員			手書		無	冷房
積載量						A/C
						装備品
						PS PW I7B ABS ナビ TV
セールスポイント				総合		
インテイク				評価		
ナビ				評価		
プラススタート				評価		
				外装		
				評価		
				内装		
				評価		

* 特記事項 *

後付ナビTV(MP111-W)

ホイールカバーキズ



タイヤの残溝はmm表示です

A	U	B	P	W	S	C	G	X	XX
キ	凹	傷	要	補	サ	腐	飛	要	交
ズ	凹	凹	塗	修	ビ	食	石	交	換
			装	蹄	ズ	食	傷	換	





出品番号 [1867] 70361	初度登録 H24 6 年 月	車名 キューブ	ドア 4	グレード 15X インディゴプラスプラズマ	燃費 21.0 4WD	評価点
-------------------------	----------------------	------------	---------	-----------------------------	-------------------	-----

大阪	西暦 2012 年	車歴 新車	型式 DBA - Z12	排気量 1,500 CC	保証書 有・無	定員 5 名	4
----	-----------------	----------	-----------------	--------------------	------------	--------------	---

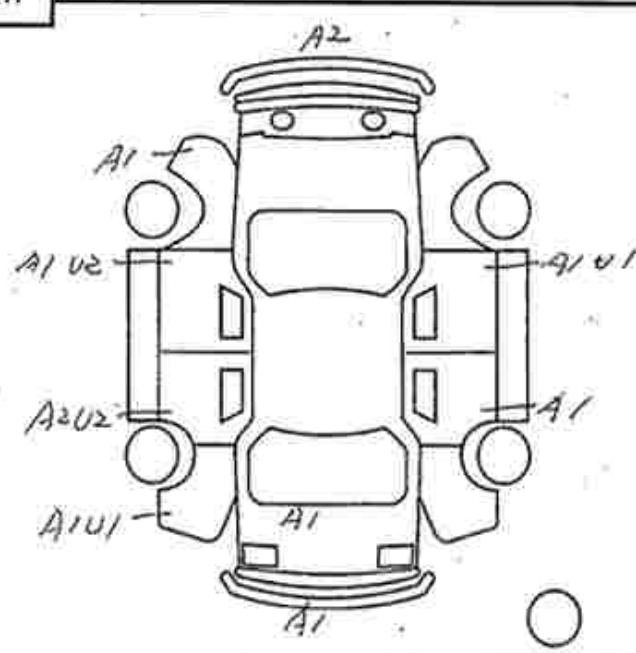
走行 82671 km	車検 5 6 年 月	色 (Col.No) ブラック Fゴロ	燃料 G・D・電気 (モの油)	外装 CC	内装 CC
-------------------	------------------	---------------------------	--------------------	----------	----------

シフト AT	エアコン AAC	リサイクル積込金 9,460 円	純正装備品 PS PW AW EAB ABS 革 SR ナビ DTV
-----------	-------------	------------------------	---------------------------------------

<注意事項>	名変更 月 日 輸入車 ディーラー・並行 左H・右H	<セールスポイント> ○ユーザー買取 ○ナビ MP111-W ○ETC
--------	--	--

< 検査員記入欄 >
 Fガラス (キズ・飛石・ヒビ・リペア跡・X要)
 内装 (キズ・汚れ・シミ・コゲ・穴・キレ・破れ・割れ)
 オーディオ (無し・穴) / タイヤ (スタッドレス)

外装の状況: **スマートキー車内**



キーロック

ホイール・CP (キズ) フレノ/ドアミラー (キズ) フレノ
 小キズ有 小キズ有 補修有

後送品	ナビ取付	DM/SD	B-CAS	リモコン	登録番号 鈴鹿 500 た 4470	車台番号 207153
-----	------	-------	-------	------	-----------------------	----------------









¹ Chassis number – a unique identification number of the vehicle in Japan (same as VIN in the USA or Europe)

² Title information:

Registered – qualified for driving in Japan

Deregistered Temporarily – not qualified for driving in Japan, usually a temporary title during the ownership change

Deregistered Completely – not qualified for driving in Japan, the vehicle is determined to be scrapped

Deregistered to Export – not qualified for driving in Japan, the vehicle is determined to be exported

³ Determining the overall collision safety performance evaluation – For the driver's seat, the results of the full-wrap frontal collision test, offset frontal collision test, and side collision test are added together and evaluated to 6 different levels. For the Frontal passenger's seat, the results of the full-wrap frontal collision test and the side collision test (results for the driver's or the front passenger's seat are used) are added together and evaluated to 6 different levels.

Regular vehicle inspection – All vehicles in Japan must undergo regular vehicle inspections (shaken). New cars need to be tested after three years, and then vehicles must be tested every two years thereafter. A vehicle inspection (shaken) is compulsory for all vehicles with an engine size over 250cc. It ensures that all vehicles on the road are properly maintained and safe to drive. The test also checks that vehicles have not been illegally modified; if they are found to have been modified, they are not allowed on the road.

⁴ Use in the contaminated regions – The Fukushima Daiichi nuclear disaster was a catastrophic failure at the Fukushima I Nuclear Power Plant on 11 March 2011, resulting in a meltdown of three of the plant's six nuclear reactors. As a result, some areas in the following prefectures were contaminated: Fukushima, Miyagi, Ibaraki, Tochigi.

⁵ Radioactive contamination test – radioactive contamination inspection that was started in July 2011 as a preventive measure for exporting contaminated vehicles from Japan. The inspection is being conducted since in all sea ports of Japan under the supervision of The Japan Harbor Transportation Association (JHTA).

MLIT – Ministry of Land, Infrastructure, Transport and Tourism.

⁶ Japan New Car Assessment Program – the Ministry of Land, Infrastructure, Transport and Tourism (MLIT) and the National Agency for Automotive Safety & Victims' Aid (NASVA) have taken measures for safety, one of which is to assess commercially available vehicles through a variety of safety performance tests and release the resulting information compiled into the "New Car Assessment Program". The objective of Japan New Car Assessment Program is to increase the use of safe automobiles by providing an environment in which users can easily select such vehicles. This also promotes the development of safer vehicles by automobile manufacturers. Neck injury protection for rear-end collision performance test, rear seat passenger's protection for frontal collision performance test, rear passenger's seat belt usability evaluation test and seat belt reminder for passengers evaluation test are started in FY2009.

⁷ Braking Performance Tests – Braking performance is determined by the shortness of the distance in which a vehicle can stop and the stability of the vehicle at the time of braking. This test is performed under wet and dry road conditions for a vehicle which has both a driver and a front passenger. The distance it takes for the vehicle to stop and the stability of the vehicle at the time of braking is evaluated for when the vehicle is stopped abruptly while traveling at a speed of 100km/h. The stopping distance and vehicle speed have been measured by using GPS since FY2009.

CAR VX, LTD DEPENDS ON ITS SOURCES FOR THE ACCURACY AND RELIABILITY OF ITS INFORMATION. THEREFORE, NO RESPONSIBILITY IS ASSUMED BY CAR VX, LTD OR ITS AGENTS FOR ERRORS OR OMISSIONS IN THIS REPORT. CAR VX, LTD FURTHER EXPRESSLY DISCLAIMS ALL WARRANTIES, EXPRESS OR IMPLIED, INCLUDING ANY IMPLIED WARRANTIES OF MERCHANTABILITY OR FITNESS FOR A PARTICULAR PURPOSE.

© 2014-2023 Car VX Limited. All rights reserved.