

VEHICLE DETAILS

Chassis number ¹: WVVZZZ1KZAW023130

Manufacture date: 2009

Make: VOLKSWAGEN

Model: GOLF

Body: ABA-1KCCZ

Grade: GTI

Engine: CCZ

Drive: 2WD

Transmission: AT

Title information ²:



Deregistered
Temporarily



Accident / Repair:



No problem



**Odometer
rollback:**



No problem



**Manufacturer
recall:**



No problem



Safety grade ³:



★★★★★



**Contamination
risk:**



No problem



This vehicle does not qualify for Buyback Guarantee



Unfortunately, this vehicle does not qualify for our Buyback Guarantee program.

[About Buyback Guarantee](#)

Average Market Price



¥650,000

This CAR VX Vehicle History Report is based only on Information supplied to CAR VX, LTD and available as of 2023-06-08 19:30:10. Other information about this vehicle, including problems, may not have been reported to CAR VX, LTD . Use this report as one important tool, along with a vehicle inspection and test drive, to make a better decision about your next used car.

ACCIDENT / REPAIR HISTORY

Problem type	Reported	Date reported	Data source	Details	Airbag
Collision	Not reported				
Malfunction	Not reported				
Theft	Not reported				
Fire damage	Not reported				
Water damage	Not reported				
Hail damage	Not reported				

ODOMETER READINGS HISTORY

Date reported	Data source	Odometer reading (Km)
2012-12-08	HAA Kobe	52112
2020-09-03	MLIT	76400
2022-09-15	MLIT	82000
2023-06-02	USS Nagoya	83859

USE HISTORY

Use in the contaminated regions ⁴	Radioactive contamination test fail ⁵	Commercial use
Not reported	Not reported	Not reported


DETAILED HISTORY

Event date	Location	Odometer reading (Km)	Data source	Details
2009			VOLKSWAGEN	Manufactured
2009-09			MLIT	First registration
2012-12-08	Hyogo	52112	HAA Kobe	Auctioned
2020-09-03		76400	MLIT	Inspection

2022-09-15	Nagoya	82000	MLIT	Inspection
2023-05-30	Nagoya		MLIT	Last registration
2023-06-02	Aichi	83859	USS Nagoya	Auctioned

MANUFACTURER RECALL HISTORY

Date reported	Data source	Affected part	Details
---------------	-------------	---------------	---------

 Not reported



VEHICLE ASSESSMENT ⁶

Overall Collision Safety Ratings

Driver's seat			Front passenger's seat		
Points	Evaluation	Goal average	Points	Evaluation	Goal average
28.03	★★★★★	78%	20.15	★★★★★	84%

* In order to accurately differentiate between the evaluations of different vehicles, a standard is set based on current technology. Up to 6 points out of 12 is given level 1 and the rest of the range is divided up into equal parts, which are respectively assigned to level 2 (more than 6 points but 7.5 or less), level 3 (more than 7.5 points but 9 or less), level 4 (more than 9 points but 10.5 or less) or level 5 (more than 10.5 points).

Braking performance tests ⁷

Dry road		44.2 m
Wet road		48.5 m

VEHICLE SPECIFICATION

1st gear ratio	3.461	2nd gear ratio	2.150
3rd gear ratio	1.464	4th gear ratio	1.078
5th gear ratio	1.093	6th gear ratio	0.921

Additional notes	GPS ANTENNA ATTACHING SPECIFICATION EQUIPPED	Airbag position, capacity	-
Body rear overhang	-	Body type	BOX TYPE PASSENGER USE CAR
Chassis number embossing position	ENGINE ROOM TOOL INSIDE RIGHT SIDE	Classification code	0021,0022 0221,0222
Cylinders	4	Displacement	1980
Electric engine type	-	Electric engine maximum output	-
Electric engine maximum torque	-	Electric engine power	-
Engine maximum power	155/5300 ~ 6200 (NET)	Engine maximum torque	280/1700 ~ 5200 (NET)
Engine model	CCZ	Frame type	-
Front shaft weight	900 910	Front shock absorber type	-
Front stabilizer type	-	Front tires size	225/45 R17 91W 225/45 ZR17 91W 225/40 R18 92Y EXTRA OTHER1
Front tread	1.530 1.525	Fuel consumption	13.0
Fuel tank equipment	55	Grade	GTI
Height	1.460 1.495	Length	4.210
Main brakes type	HYDRAULIC TYPE DISK HYDRAULIC TYPE DISK	Make	VOLKSWAGEN
Maximum speed	-	Minimum ground clearance	-
Minimum turning radius	-	Model	GOLF
Model code	ABA-1KCCZ	Mufflers number	-
Rear shaft weight	500	Rear shock absorber type	-

Rear stabilizer type	-	Rear tires size	225/45 R17 91W 225/45 ZR17 91W 225/40 R18 92Y EXTRA OTHER1
Rear tread	1.505 1.500	Reverse ratio	3.989
Riding capacity	5	Side brakes type	-
Specification code	16335	Stopping distance	9.55(100) 10.50(100)
Transmission type	AT	Weight	1400 1410
Wheel alignment	2WD	Wheelbase	2.575
Width	1.790		

AUCTION DATA

Date: 2012-12-08, Auction: HAA Kobe, Lot #: 80218

Date:	2012-12-08	Lot #:	80218
Auction name:	HAA Kobe	Region:	Hyogo
Make:	VOLKSWAGEN	Model:	GOLF
Reg. year:	2009	Mileage (km):	52112
Displacement (cc):	2000	Transmission:	FA
Color:	WHITE	Model code:	1KCCZ
Result:	sold	Auction grade:	4.5
Problem type:	No problem	Problem scale:	None
Contaminated:	No	Airbag:	OK

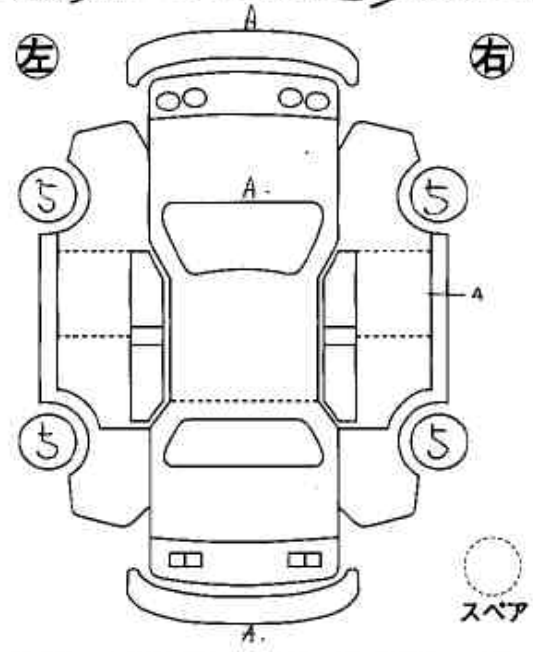
Date: 2023-06-02, Auction: USS Nagoya, Lot #: 25029

Date:	2023-06-02	Lot #:	25029
Auction name:	USS Nagoya	Region:	Aichi
Make:	VOLKSWAGEN	Model:	GOLF
Reg. year:	2009	Mileage (km):	83859
Displacement (cc):	2000	Transmission:	AT
Color:	WHITE	Model code:	1KCCZ

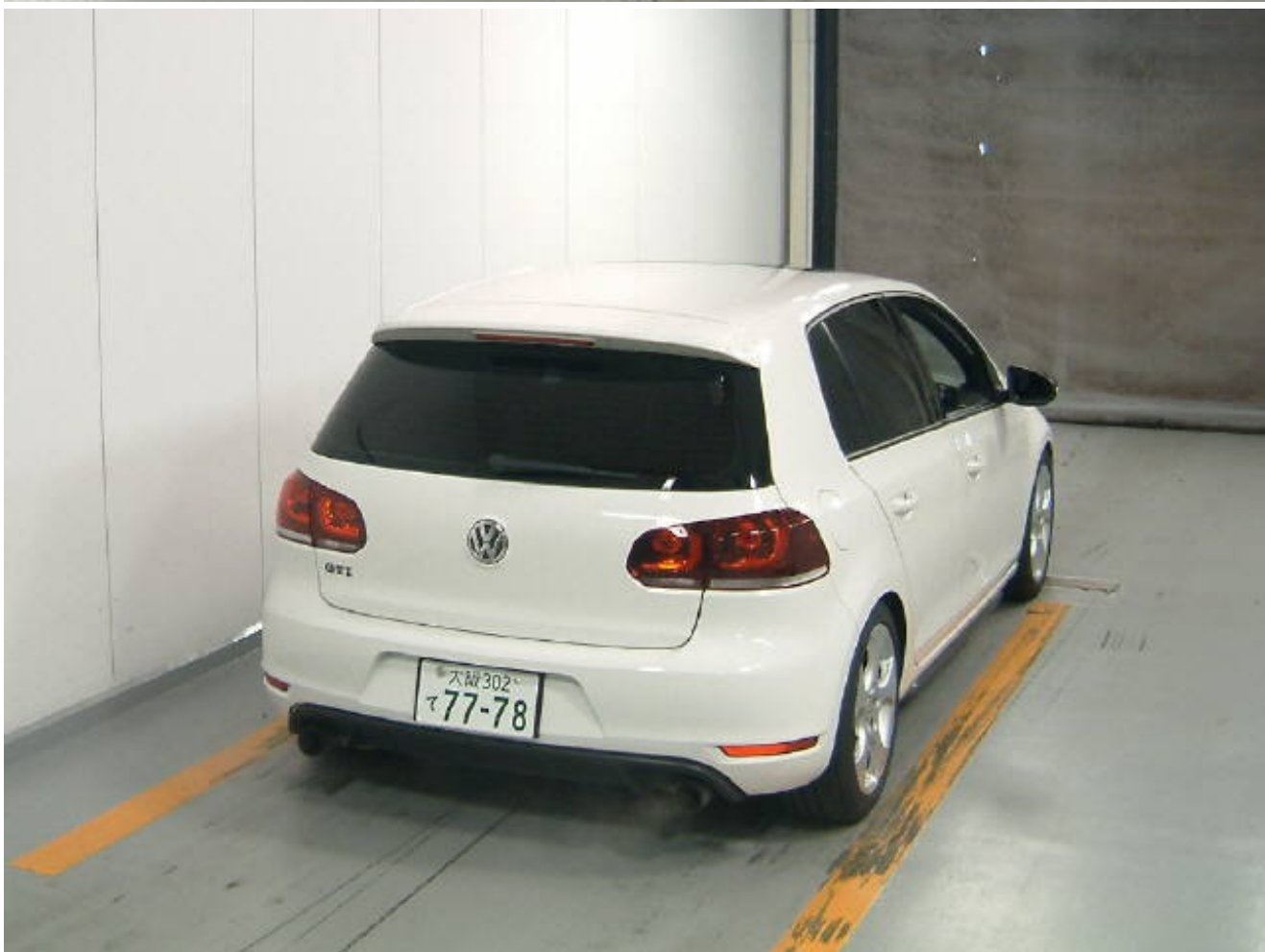
Result:	available	Auction grade:	4
Problem type:	No problem	Problem scale:	None
Contaminated:	No	Airbag:	OK

PHOTOS AND AUCTION SHEETS

出品番号 80218	初年度登録年月 21/9月	車名 VWゴルフ 5 HB	ドア 形状 GTI	グレード	評価点 4.5
車歴 (自)	型式 ABA-1KCCZ	排気量 2000 cc	燃料 ツリ ・軽油・()		
車検 26年 9月	走行 52112 km	メーカー交換歴 S交換車 *改竄車 井不明車	セールスポイント HIDヘッドライト キーレス		(外装) A
外装色 ホワイト	色替	カラーNo	インパネ シートヒーター・インカ・ミラー		(内装) A
車台番号 WVWZZZ1KZAW023130	定員 (5)名	福祉車輛装備	冷房 AAC		
輸入車 ディーラー・並行	ハンドル 左H・右H	モアル年式()年	ABS		
注意事項(出品店記入) ユーザー買取車 社外足廻り(オーリンズ) ナビリモ.取説後送 月 日までに名変できる方 ※リサイクル料金 預託金 18,900円			新車保証書 取扱説明書		
ハンドルのシート	オーディオ	ホイール	エアロ	ドアミラー	
A・スレ	A・スレ	無し・穴	A・曲り	A・ワレ	
FW	④・リペア・ワレ	室内シート	コゲ・穴・汚れ・キズ・破れ		
検査員記入					
希望出品 ブロック に丸印	希望出品 ブロック に丸印				



大阪 3027 7778





輸入車@30コーナー

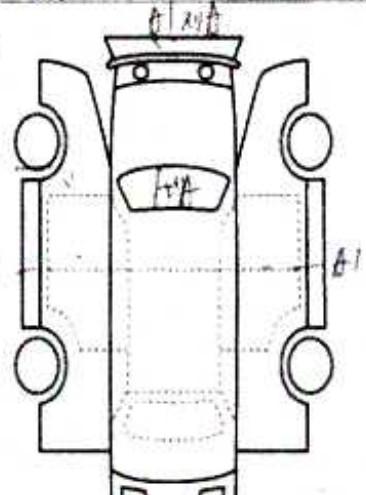
25029	車歴 (自家用以外は記入) 排気量	型式	評価点
	2000cc	ABA-1KCCZ	4
初年度登録年月	車名	グレード	2WD
2/9月	ゴルフ	GTI	4WD

車検	年	月	シフト	色	ER	RAW	RS	RW
走行	83,859	マイル	AT	冷房	有	有	有	有
外色	シロ	色調	カウチ	エアコン	有	有	有	有
燃料	ガソリン	軽油	内装色	名義変更期間	有	有	有	有
輸入車種	輸入国	ハンドル	月	日	有	有	有	有
	ドイツ	左			有	有	有	有

リサイクル 標記金	18,990円	乗車定員	5人	登録地	
○注意事項 (標記 不具合箇所および状態等)	車台No: WVVZ221K2AW023130				
◎ 社外277- (社外足廻り)	シリアルNo:				
◎ R.A.T. エア、元車タルミ (1/10)					
J-T-取					

○検査員報告 (USS使用欄)

11/11/11
11/11/11
11/11/11
11/11/11
11/11/11
11/11/11



【荷台内寸】約 X X (cm)

長さ 179 cm 幅 179 cm 高さ 146 cm (※(車検上の寸法))



¹ Chassis number – a unique identification number of the vehicle in Japan (same as VIN in the USA or Europe)

² Title information:

Registered – qualified for driving in Japan

Deregistered Temporarily – not qualified for driving in Japan, usually a temporary title during the ownership change

Deregistered Completely – not qualified for driving in Japan, the vehicle is determined to be scrapped

Deregistered to Export – not qualified for driving in Japan, the vehicle is determined to be exported

³ Determining the overall collision safety performance evaluation – For the driver's seat, the results of the full-wrap frontal collision test, offset frontal collision test, and side collision test are added together and evaluated to 6 different levels. For the Frontal passenger's seat, the results of the full-wrap frontal collision test and the side collision test (results for the driver's or the front passenger's seat are used) are added together and evaluated to 6 different levels.

Regular vehicle inspection – All vehicles in Japan must undergo regular vehicle inspections (shaken). New cars need to be tested after three years, and then vehicles must be tested every two years thereafter. A vehicle inspection (shaken) is compulsory for all vehicles with an engine size over 250cc. It ensures that all vehicles on the road are properly maintained and safe to drive. The test also checks that vehicles have not been illegally modified; if they are found to have been modified, they are not allowed on the road.

⁴ Use in the contaminated regions – The Fukushima Daiichi nuclear disaster was a catastrophic failure at the Fukushima I Nuclear Power Plant on 11 March 2011, resulting in a meltdown of three of the plant's six nuclear reactors. As a result, some areas in the following prefectures were contaminated: Fukushima, Miyagi, Ibaraki, Tochigi.

⁵ Radioactive contamination test – radioactive contamination inspection that was started in July 2011 as a preventive measure for exporting contaminated vehicles from Japan. The inspection is being conducted since in all sea ports of Japan under the supervision of The Japan Harbor Transportation Association (JHTA).

MLIT – Ministry of Land, Infrastructure, Transport and Tourism.

⁶ Japan New Car Assessment Program – the Ministry of Land, Infrastructure, Transport and Tourism (MLIT) and the National Agency for Automotive Safety & Victims' Aid (NASVA) have taken measures for safety, one of which is to assess commercially available vehicles through a variety of safety performance tests and release the resulting information compiled into the "New Car Assessment Program". The objective of Japan New Car Assessment Program is to increase the use of safe automobiles by providing an environment in which users can easily select such vehicles. This also promotes the development of safer vehicles by automobile manufacturers. Neck injury protection for rear-end collision performance test, rear seat passenger's protection for frontal collision performance test, rear passenger's seat belt usability evaluation test and seat belt reminder for passengers evaluation test are started in FY2009.

⁷ Braking Performance Tests – Braking performance is determined by the shortness of the distance in which a vehicle can stop and the stability of the vehicle at the time of braking. This test is performed under wet and dry road conditions for a vehicle which has both a driver and a front passenger. The distance it takes for the vehicle to stop and the stability of the vehicle at the time of braking is evaluated for when the vehicle is stopped abruptly while traveling at a speed of 100km/h. The stopping distance and vehicle speed have been measured by using GPS since FY2009.

CAR VX, LTD DEPENDS ON ITS SOURCES FOR THE ACCURACY AND RELIABILITY OF ITS INFORMATION. THEREFORE, NO RESPONSIBILITY IS ASSUMED BY CAR VX, LTD OR ITS AGENTS FOR ERRORS OR OMISSIONS IN THIS REPORT. CAR VX, LTD FURTHER EXPRESSLY DISCLAIMS ALL WARRANTIES, EXPRESS OR IMPLIED, INCLUDING ANY IMPLIED WARRANTIES OF MERCHANTABILITY OR FITNESS FOR A PARTICULAR PURPOSE.

© 2014-2023 Car VX Limited. All rights reserved.