



Vehicle History Report

VEHICLE DETAILS

Chassis number ¹: TE52-050697

Manufacture date: 2012-12

Make: NISSAN

Model: ELGRAND

Body: DBA-TE52

Grade: HIGHWAY STAR

Engine: QR25DE

Drive: 2WD

Transmission: AT

Title information ²:  Deregistered to Export 

Accident / Repair:  No problem 

Odometer rollback:  No problem 

Manufacturer recall:  No problem 

Safety grade ³:  ★★★★★ 

Contamination risk:  No problem 

This vehicle does not qualify for Buyback Guarantee



Unfortunately, this vehicle does not qualify for our Buyback Guarantee program.

[About Buyback Guarantee](#)

Average Market Price



¥750,000

This CAR VX Vehicle History Report is based only on Information supplied to CAR VX, LTD and available as of 2023-07-01 19:03:28. Other information about this vehicle, including problems, may not have been reported to CAR VX, LTD . Use this report as one important tool, along with a vehicle inspection and test drive, to make a better decision about your next used car.

ACCIDENT / REPAIR HISTORY

Problem type	Reported	Date reported	Data source	Details	Airbag
Collision	Not reported				
Malfunction	Not reported				
Theft	Not reported				
Fire damage	Not reported				
Water damage	Not reported				
Hail damage	Not reported				

ODOMETER READINGS HISTORY

Date reported	Data source	Odometer reading (Km)
2019-12-17	MLIT	50300
2021-12-08	MLIT	59000
2023-06-08	USS Tokyo	64095
2023-06-20	USS Yokohama	64100

USE HISTORY

Use in the contaminated regions ⁴	Radioactive contamination test fail ⁵	Commercial use
Not reported	Not reported	Not reported


DETAILED HISTORY

Event date	Location	Odometer reading (Km)	Data source	Details
2012-12			NISSAN	Manufactured
2012-12			MLIT	First registration
2019-12-17		50300	MLIT	Inspection
2021-12-08	Yokohama	59000	MLIT	Inspection

2023-06-08	Chiba	64095	USS Tokyo	Auctioned
2023-06-20	Kanagawa	64100	USS Yokohama	Auctioned
2023-06-27	Yokohama		MLIT	Last registration

MANUFACTURER RECALL HISTORY

Date reported	Data source	Affected part	Details
---------------	-------------	---------------	---------

 Not reported



VEHICLE ASSESSMENT ⁶

Overall Collision Safety Ratings

Driver's seat			Front passenger's seat		
Points	Evaluation	Goal average	Points	Evaluation	Goal average
35.37	★★★★★★	98%	23.33	★★★★★★	97%

* In order to accurately differentiate between the evaluations of different vehicles, a standard is set based on current technology. Up to 6 points out of 12 is given level 1 and the rest of the range is divided up into equal parts, which are respectively assigned to level 2 (more than 6 points but 7.5 or less), level 3 (more than 7.5 points but 9 or less), level 4 (more than 9 points but 10.5 or less) or level 5 (more than 10.5 points).

Braking performance tests ⁷

Dry road		40.5 m
Wet road		43.4 m

VEHICLE SPECIFICATION

1st gear ratio	2.349 ~ 0.394(MANUAL MODE ATTACHING)	2nd gear ratio	-
3rd gear ratio	-	4th gear ratio	-
5th gear ratio	-	6th gear ratio	-

Additional notes	-	Airbag position, capacity	-
Body rear overhang	1020	Body type	MV&1BOX
Chassis number embossing position	FRONT FLOOR PANEL RIGHT SIDE	Classification code	0011
Cylinders	4	Displacement	2480
Electric engine type	-	Electric engine maximum output	-
Electric engine maximum torque	-	Electric engine power	-
Engine maximum power	125/5600(NET)	Engine maximum torque	245/3900(NET)
Engine model	QR25DE	Frame type	SOLID STRUCTURE
Front shaft weight	1040	Front shock absorber type	
Front stabilizer type	TORSION BAR TYPE	Front tires size	225/55R18 98V
Front tread	1.600	Fuel consumption	11.6
Fuel tank equipment	73	Grade	HIGHWAY STAR
Height	1.815	Length	4.915
Main brakes type	HYDRAULIC TYPE, FRONT: DISK BACK: DISK	Make	NISSAN
Maximum speed	180	Minimum ground clearance	0.150
Minimum turning radius	5.7	Model	ELGRAND
Model code	DBA-TE52	Mufflers number	
Rear shaft weight	900	Rear shock absorber type	
Rear stabilizer type	TORSION BAR TYPE -	Rear tires size	225/55R18 98V
Rear tread	1.600	Reverse ratio	1.750
Riding capacity	7	Side brakes type	MACHINE CAR WHEEL制動 SHAPE(DRUM TYPE)
Specification code	16576	Stopping distance	50(100)
Transmission type	AT	Weight	1940

Wheel alignment	2WD	Wheelbase	3.000
Width	1.850		

AUCTION DATA

Date: 2023-06-08, Auction: USS Tokyo, Lot #: 35294

Date:	2023-06-08	Lot #:	35294
Auction name:	USS Tokyo	Region:	Chiba
Make:	NISSAN	Model:	ELGRAND
Reg. year:	2012	Mileage (km):	64095
Displacement (cc):	2500	Transmission:	AT
Color:	PURPLE	Model code:	TE52
Result:	available	Auction grade:	4
Problem type:	No problem	Problem scale:	None
Contaminated:	No	Airbag:	OK

Date: 2023-06-20, Auction: USS Yokohama, Lot #: 20428

Date:	2023-06-20	Lot #:	20428
Auction name:	USS Yokohama	Region:	Kanagawa
Make:	NISSAN	Model:	ELGRAND
Reg. year:	2012	Mileage (km):	64100
Displacement (cc):	2500	Transmission:	AT
Color:	PURPLE	Model code:	TE52
Result:	available	Auction grade:	4.5
Problem type:	No problem	Problem scale:	None
Contaminated:	No	Airbag:	OK

PHOTOS AND AUCTION SHEETS

スライドコーナー

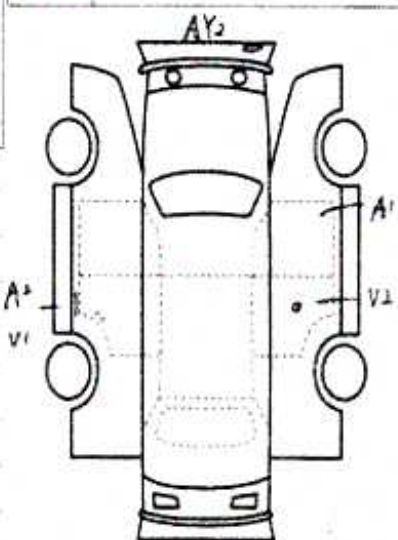
35294	車種 (自家用以外は記入)	排気量	型式	押込点	
	初年度登録年月	車名	グレード		
	24/12月	イルミネイト	5AW ハイウェイ29-	4WD	4 B

車検	5年 12月	シフト	IAT	時速	SR	AW	ES	EW
走行	64,095 km	冷房	ACC	タイヤ	20	20	20	20
外色	ブルー	カラー	LAE	セールスポイント	ユー・ナビ付 ハーフレザーシート 純正フルマダガンモニター アラウンドビューモニター 左側パワースライドドア			
燃料	ガソリン	内装色		有・無				
リサイクル	16090円	輸入区分	ディーラー並行	ハンドル	左・右			

登録No	香川 301 2716
車台No	TES2-050697
シリアルNo	

○注意事項 (車検不具合箇所および故障等)
 ロックアップ機能

○検査員報告 (USS使用欄)
 ダッシュボード 不具合あり
 エンジンルーム 下部オイル
 ルーム内汚し
 各キズあり



【乗台内寸】約 X X (cm)
 長さ 491 cm 幅 185 cm 高さ 181 cm (車検証上の寸法) スペア





国産レギュラーコーナー

20428	車種 (国産車以外は記入)	排気量	型式	ワゴン
	2500	DBA-TE52		
初年度登録年月	車名	グレード	2WD	4.5
24/2月	J・D・T	5	4WD	
				内装
				8

車検	5年12月	シフト	AT	SR	MA	PS	PA
走行	64,100 km	冷却	AAC	カフ	カフ	カフ	カフ
外色	色無	カラー	LAE	モータースポーツ			
内装	サフラン・黒	内装色		7111111111			
車検	輸入車	ハンドル	左・右	2017.10.15			
ディーラー	並行			経度			

リサイクル	16090	車検	7A	登録	空	501	2	274
台		台		台		台		台
TE52	050697							

注意事項 (検査・不具合箇所および対策等)

4/11/15 7111111111

4/11/15 7111111111

BOX (4-)

検査員報告 (USS使用)

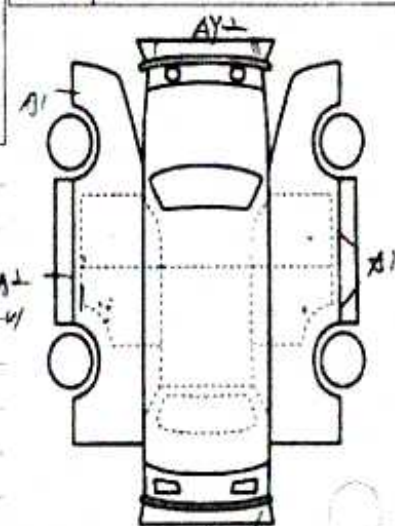
4/11/15

16090

7A

274

501



【乗台内寸】	x	x	(cm)
長さ	cm	高さ	cm
※ (車検上の寸法)			



¹ Chassis number – a unique identification number of the vehicle in Japan (same as VIN in the USA or Europe)

² Title information:

Registered – qualified for driving in Japan

Deregistered Temporarily – not qualified for driving in Japan, usually a temporary title during the ownership change

Deregistered Completely – not qualified for driving in Japan, the vehicle is determined to be scrapped

Deregistered to Export – not qualified for driving in Japan, the vehicle is determined to be exported

³ Determining the overall collision safety performance evaluation – For the driver's seat, the results of the full-wrap frontal collision test, offset frontal collision test, and side collision test are added together and evaluated to 6 different levels. For the Frontal passenger's seat, the results of the full-wrap frontal collision test and the side collision test (results for the driver's or the front passenger's seat are used) are added together and evaluated to 6 different levels.

Regular vehicle inspection – All vehicles in Japan must undergo regular vehicle inspections (shaken). New cars need to be tested after three years, and then vehicles must be tested every two years thereafter. A vehicle inspection (shaken) is compulsory for all vehicles with an engine size over 250cc. It ensures that all vehicles on the road are properly maintained and safe to drive. The test also checks that vehicles have not been illegally modified; if they are found to have been modified, they are not allowed on the road.

⁴ Use in the contaminated regions – The Fukushima Daiichi nuclear disaster was a catastrophic failure at the Fukushima I Nuclear Power Plant on 11 March 2011, resulting in a meltdown of three of the plant's six nuclear reactors. As a result, some areas in the following prefectures were contaminated: Fukushima, Miyagi, Ibaraki, Tochigi.

⁵ Radioactive contamination test – radioactive contamination inspection that was started in July 2011 as a preventive measure for exporting contaminated vehicles from Japan. The inspection is being conducted since in all sea ports of Japan under the supervision of The Japan Harbor Transportation Association (JHTA).

MLIT – Ministry of Land, Infrastructure, Transport and Tourism.

⁶ Japan New Car Assessment Program – the Ministry of Land, Infrastructure, Transport and Tourism (MLIT) and the National Agency for Automotive Safety & Victims' Aid (NASVA) have taken measures for safety, one of which is to assess commercially available vehicles through a variety of safety performance tests and release the resulting information compiled into the "New Car Assessment Program". The objective of Japan New Car Assessment Program is to increase the use of safe automobiles by providing an environment in which users can easily select such vehicles. This also promotes the development of safer vehicles by automobile manufacturers. Neck injury protection for rear-end collision performance test, rear seat passenger's protection for frontal collision performance test, rear passenger's seat belt usability evaluation test and seat belt reminder for passengers evaluation test are started in FY2009.

⁷ Braking Performance Tests – Braking performance is determined by the shortness of the distance in which a vehicle can stop and the stability of the vehicle at the time of braking. This test is performed under wet and dry road conditions for a vehicle which has both a driver and a front passenger. The distance it takes for the vehicle to stop and the stability of the vehicle at the time of braking is evaluated for when the vehicle is stopped abruptly while traveling at a speed of 100km/h. The stopping distance and vehicle speed have been measured by using GPS since FY2009.

CAR VX, LTD DEPENDS ON ITS SOURCES FOR THE ACCURACY AND RELIABILITY OF ITS INFORMATION. THEREFORE, NO RESPONSIBILITY IS ASSUMED BY CAR VX, LTD OR ITS AGENTS FOR ERRORS OR OMISSIONS IN THIS REPORT. CAR VX, LTD FURTHER EXPRESSLY DISCLAIMS ALL WARRANTIES, EXPRESS OR IMPLIED, INCLUDING ANY IMPLIED WARRANTIES OF MERCHANTABILITY OR FITNESS FOR A PARTICULAR PURPOSE.

© 2014-2023 Car VX Limited. All rights reserved.