



Vehicle History Report

VEHICLE DETAILS

Chassis number ¹: GGH20-8066757

Manufacture date: 2012-09

Make: TOYOTA

Model: VELLFIRE

Body: DBA-GGH20W

Grade: 3.5Z G EDITION

Engine: 2GR-FE

Drive: 2WD

Transmission: AT

Title information ²:



**Deregistered
Temporarily**



Accident / Repair:



No problem



**Odometer
rollback:**



No problem



**Manufacturer
recall:**



No problem



Safety grade ³:



★★★★★



**Contamination
risk:**



No problem



This vehicle does not qualify for Buyback Guarantee

Average Market Price



Unfortunately, this vehicle does not qualify for our Buyback Guarantee program.



¥0

[About Buyback Guarantee](#)

This CAR VX Vehicle History Report is based only on Information supplied to CAR VX, LTD and available as of 2023-08-02 01:10:22. Other information about this vehicle, including problems, may not have been reported to CAR VX, LTD . Use this report as one important tool, along with a vehicle inspection and test drive, to make a better decision about your next used car.

ACCIDENT / REPAIR HISTORY

Problem type	Reported	Date reported	Data source	Details	Airbag
Collision	Not reported				
Malfunction	Not reported				
Theft	Not reported				
Fire damage	Not reported				
Water damage	Not reported				
Hail damage	Not reported				

ODOMETER READINGS HISTORY

Date reported	Data source	Odometer reading (Km)
2019-11-21	MLIT	81100
2021-11-10	MLIT	94200
2023-06-20	TAA Kinki	99858
2023-07-21	LAA Okayama	99861

USE HISTORY

Use in the contaminated regions ⁴	Radioactive contamination test fail ⁵	Commercial use
Not reported	Not reported	Not reported


DETAILED HISTORY

Event date	Location	Odometer reading (Km)	Data source	Details
2012-09			TOYOTA	Manufactured
2012-11			MLIT	First registration
2019-11-21		81100	MLIT	Inspection
2021-11-10	Naniwa	94200	MLIT	Inspection

2023-06-19	Naniwa		MLIT	Last registration
2023-06-20	Osaka	99858	TAA Kinki	Auctioned
2023-07-21	Okayama	99861	LAA Okayama	Auctioned

MANUFACTURER RECALL HISTORY

Date reported	Data source	Affected part	Details
---------------	-------------	---------------	---------

 Not reported



VEHICLE ASSESSMENT ⁶

Overall Collision Safety Ratings

Driver's seat			Front passenger's seat		
Points	Evaluation	Goal average	Points	Evaluation	Goal average
34.46	★★★★★★	96%	23.51	★★★★★★	98%

* In order to accurately differentiate between the evaluations of different vehicles, a standard is set based on current technology. Up to 6 points out of 12 is given level 1 and the rest of the range is divided up into equal parts, which are respectively assigned to level 2 (more than 6 points but 7.5 or less), level 3 (more than 7.5 points but 9 or less), level 4 (more than 9 points but 10.5 or less) or level 5 (more than 10.5 points).

Braking performance tests ⁷

Dry road		41.7 m
Wet road		47.1 m

VEHICLE SPECIFICATION

1st gear ratio	3.300	2nd gear ratio	1.900
3rd gear ratio	1.420	4th gear ratio	1.000
5th gear ratio	0.713	6th gear ratio	0.608
Additional notes	NFTSK	Airbag position, capacity	

Body rear overhang	1015	Body type	MV&1BOX
Chassis number embossing position	FRONT FLOOR CROSSMEMBER RIGHT SIDE ON SURFACE	Classification code	0212
Cylinders	V6 WIDTH	Displacement	3450
Electric engine type	-	Electric engine maximum output	-
Electric engine maximum torque	-	Electric engine power	-
Engine maximum power	206/6200(NET)	Engine maximum torque	344/4700(NET)
Engine model	2GR-FE	Frame type	SOLID STRUCTURE
Front shaft weight	1150	Front shock absorber type	
Front stabilizer type	TORSION BAR TYPE	Front tires size	235/50R18 97V
Front tread	1.555	Fuel consumption	9.2
Fuel tank equipment	65	Grade	3.5Z G EDITION
Height	1.900	Length	4.885
Main brakes type	HYDRAULIC TYPE, FRONT: DISK BACK: DISK	Make	TOYOTA
Maximum speed	180	Minimum ground clearance	0.170
Minimum turning radius	5.9	Model	VELLFIRE
Model code	DBA-GGH20W	Mufflers number	
Rear shaft weight	880	Rear shock absorber type	
Rear stabilizer type	-	Rear tires size	235/50R18 97V
Rear tread	1.560	Reverse ratio	4.148
Riding capacity	7	Side brakes type	MACHINE CAR WHEEL SHAPE(DRUM TYPE)
Specification code	16088	Stopping distance	50(100)
Transmission type	AT	Weight	2030

Wheel alignment	2WD	Wheelbase	2.950
Width	1.840		

AUCTION DATA

Date: 2023-06-20, Auction: TAA Kinki, Lot #: 359

Date:	2023-06-20	Lot #:	359
Auction name:	TAA Kinki	Region:	Osaka
Make:	TOYOTA	Model:	VELLFIRE
Reg. year:	2012	Mileage (km):	99858
Displacement (cc):	3500	Transmission:	IAT
Color:	PEARL	Model code:	GGH20W
Result:	sold	Auction grade:	3
Problem type:	No problem	Problem scale:	None
Contaminated:	No	Airbag:	OK

Date: 2023-07-21, Auction: LAA Okayama, Lot #: 1026

Date:	2023-07-21	Lot #:	1026
Auction name:	LAA Okayama	Region:	Okayama
Make:	TOYOTA	Model:	VELLFIRE
Reg. year:	2012	Mileage (km):	99861
Displacement (cc):	3500	Transmission:	DA
Color:	PEARL	Model code:	GGH20W
Result:	sold	Auction grade:	4
Problem type:	No problem	Problem scale:	None
Contaminated:	No	Airbag:	OK

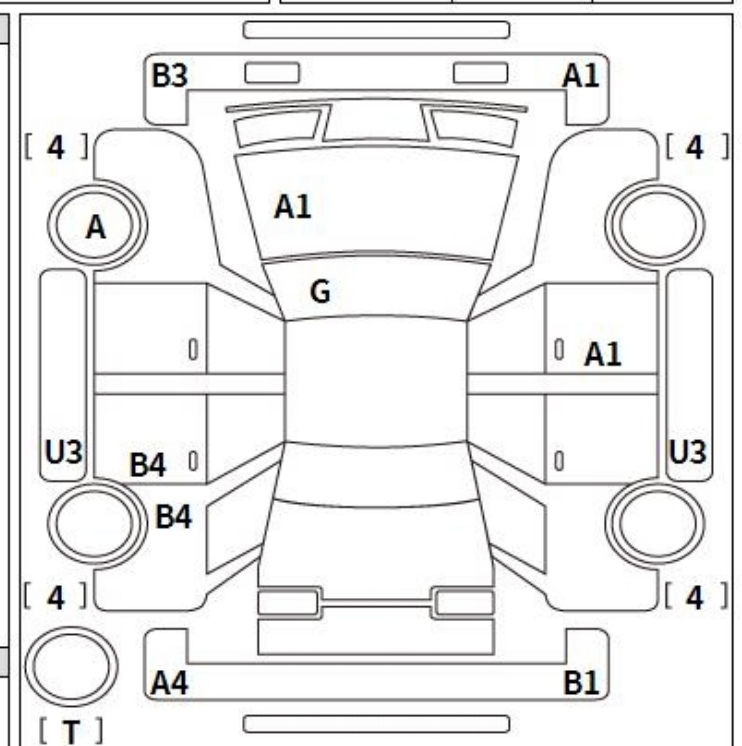
PHOTOS AND AUCTION SHEETS

出品番号	初度登録	車名	ドア形状	グレード	評価点
359	H ²⁴ 年	ヴェルファイア	5W	Z G ^I ディジョン	3
	11月	自家用	3500 CC	DBA-GGH20W	
		車歴	排気量	燃料	型式
			ガソリン		外装 内装
					E B

走行	車検	登録番号	名変期限	セールスポイント	
99,858 km	年 月		月 日	★オークションデビュー★	
シフト	エアコン	外装色	乗車定員	最大積載量	
IAT	AAC	パール	7人	kg	
		カラーNo.	内装色	輸入車	リサイクル預託金
		070	知系	16,260円	
後日発送部品				純正装備	
				SR ABS I7B PS PW	

注意事項欄			車台番号		
			GGH20-8066757		
			諸元		
長さ		幅	高さ		

検査員記入欄
下廻りAU 室内薄汚れ ダッシュ板のり付 タッチP跡 ミラーA
事務局よりご案内



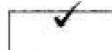
A: 欠 U: 欠 B: 欠を伴う欠 P: 要塗装 W: 補修跡 S: 錆 C: 腐食 G: 7D以外5点欠 XX: 交換済み X: 要交換 内・外装評価 5段階評価(A・B・C・D・E) 1





LAA 出品申込書

LIGHT AUTO AUCTION



出品番号 1026	初度登録年月 24年11月	車名 ヴェルファイア 5W	ドア形状 3.5Z	グレード サンルーフ	評価点 4
車歴 自家用	型式 DBA-GGH20W	排気量 3500cc	定員 7人		

車検 年 月 日	フロア コラム AD	セル ポイント	スマートキー×2 プッシュスタート コンビハンドル クルーズコントロール ETC	[外装] B
走行 十 万 千 百 十 一 99861 km	冷房 燃料 AAC ガソリン軽油	MTのみ 記入 速		[内装] B
外装色 パール	色替車は色替と記入	PS (パワーステアリング) PW (パワーウィンド) AW (アルミホイール) SR (サンルーフ)	カワ (カワシート) AB (エアバッグ) TV (地デジ) ナビ (ナビゲーション)	純正品のみ 丸印
内装色 70	外装カラーNo. 070	輸入車	モデル年式 年・不明	D車・並 右H・左H

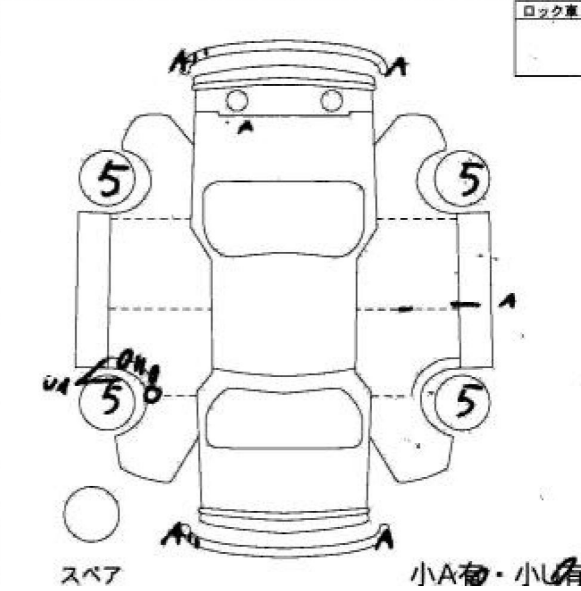
新車保証書 ディーラー捺印あるもの	取扱説明書	R券 ¥ 16,260	名変期限	月 日迄
----------------------	-------	--------------------	------	------

注意事項
後日必ず ドラレコ. 横すべり防止. ナノイ
不具合箇所等 HIDライト. パワシート. クリアランスソナ
純正8インチナビ. 地デジTV. バックカメラ
両側パワーステアリング. パワーバックドア. フリップダウン

車台No. **GGH20-8066757**

検査員記入	ガラス	A・X要ス	室内シート	A・コゲ・穴・汚れ・破れ
ホイルA				

長さ	幅	高さ	積載量
cm	cm	cm	kg









¹ Chassis number – a unique identification number of the vehicle in Japan (same as VIN in the USA or Europe)

² Title information:

Registered – qualified for driving in Japan

Deregistered Temporarily – not qualified for driving in Japan, usually a temporary title during the ownership change

Deregistered Completely – not qualified for driving in Japan, the vehicle is determined to be scrapped

Deregistered to Export – not qualified for driving in Japan, the vehicle is determined to be exported

³ Determining the overall collision safety performance evaluation – For the driver's seat, the results of the full-wrap frontal collision test, offset frontal collision test, and side collision test are added together and evaluated to 6 different levels. For the Frontal passenger's seat, the results of the full-wrap frontal collision test and the side collision test (results for the driver's or the front passenger's seat are used) are added together and evaluated to 6 different levels.

Regular vehicle inspection – All vehicles in Japan must undergo regular vehicle inspections (shaken). New cars need to be tested after three years, and then vehicles must be tested every two years thereafter. A vehicle inspection (shaken) is compulsory for all vehicles with an engine size over 250cc. It ensures that all vehicles on the road are properly maintained and safe to drive. The test also checks that vehicles have not been illegally modified; if they are found to have been modified, they are not allowed on the road.

⁴ Use in the contaminated regions – The Fukushima Daiichi nuclear disaster was a catastrophic failure at the Fukushima I Nuclear Power Plant on 11 March 2011, resulting in a meltdown of three of the plant's six nuclear reactors. As a result, some areas in the following prefectures were contaminated: Fukushima, Miyagi, Ibaraki, Tochigi.

⁵ Radioactive contamination test – radioactive contamination inspection that was started in July 2011 as a preventive measure for exporting contaminated vehicles from Japan. The inspection is being conducted since in all sea ports of Japan under the supervision of The Japan Harbor Transportation Association (JHTA).

MLIT – Ministry of Land, Infrastructure, Transport and Tourism.

⁶ Japan New Car Assessment Program – the Ministry of Land, Infrastructure, Transport and Tourism (MLIT) and the National Agency for Automotive Safety & Victims' Aid (NASVA) have taken measures for safety, one of which is to assess commercially available vehicles through a variety of safety performance tests and release the resulting information compiled into the "New Car Assessment Program". The objective of Japan New Car Assessment Program is to increase the use of safe automobiles by providing an environment in which users can easily select such vehicles. This also promotes the development of safer vehicles by automobile manufacturers. Neck injury protection for rear-end collision performance test, rear seat passenger's protection for frontal collision performance test, rear passenger's seat belt usability evaluation test and seat belt reminder for passengers evaluation test are started in FY2009.

⁷ Braking Performance Tests – Braking performance is determined by the shortness of the distance in which a vehicle can stop and the stability of the vehicle at the time of braking. This test is performed under wet and dry road conditions for a vehicle which has both a driver and a front passenger. The distance it takes for the vehicle to stop and the stability of the vehicle at the time of braking is evaluated for when the vehicle is stopped abruptly while traveling at a speed of 100km/h. The stopping distance and vehicle speed have been measured by using GPS since FY2009.

CAR VX, LTD DEPENDS ON ITS SOURCES FOR THE ACCURACY AND RELIABILITY OF ITS INFORMATION. THEREFORE, NO RESPONSIBILITY IS ASSUMED BY CAR VX, LTD OR ITS AGENTS FOR ERRORS OR OMISSIONS IN THIS REPORT. CAR VX, LTD FURTHER EXPRESSLY DISCLAIMS ALL WARRANTIES, EXPRESS OR IMPLIED, INCLUDING ANY IMPLIED WARRANTIES OF MERCHANTABILITY OR FITNESS FOR A PARTICULAR PURPOSE.

© 2014-2023 Car VX Limited. All rights reserved.