



Vehicle History Report

VEHICLE DETAILS

Chassis number ¹: WWWZZZ1KZBW173269

Manufacture date: 2011

Make: VOLKSWAGEN

Model: GOLF

Body: ABA-1KCCZ

Grade: GTI

Engine: CCZ

Drive: 2WD

Transmission: AT

Title information ²:



Deregistered to Export



Accident / Repair:



No problem



Odometer rollback:



No problem



Manufacturer recall:



No problem



Safety grade ³:



★★★★★



Contamination risk:



No problem



This vehicle does not qualify for Buyback Guarantee

Average Market Price



Unfortunately, this vehicle does not qualify for our Buyback Guarantee program.



¥0

[About Buyback Guarantee](#)

This CAR VX Vehicle History Report is based only on Information supplied to CAR VX, LTD and available as of 2023-08-17 18:08:49. Other information about this vehicle, including problems, may not have been reported to CAR VX, LTD . Use this report as one important tool, along with a vehicle inspection and test drive, to make a better decision about your next used car.

ACCIDENT / REPAIR HISTORY

Problem type	Reported	Date reported	Data source	Details	Airbag
Collision	Not reported				
Malfunction	Not reported				
Theft	Not reported				
Fire damage	Not reported				
Water damage	Not reported				
Hail damage	Not reported				

ODOMETER READINGS HISTORY

Date reported	Data source	Odometer reading (Km)
2020-07-22	MLIT	61600
2022-07-04	MLIT	73700
2023-06-09	USS Nagoya	78627


USE HISTORY

Use in the contaminated regions ⁴	Radioactive contamination test fail ⁵	Commercial use
Not reported	Not reported	Not reported

DETAILED HISTORY

Event date	Location	Odometer reading (Km)	Data source	Details
2011			VOLKSWAGEN	Manufactured
2011-07			MLIT	First registration
2020-07-22		61600	MLIT	Inspection
2022-07-04	Yokohama	73700	MLIT	Inspection
2023-06-09	Aichi	78627	USS Nagoya	Auctioned

MANUFACTURER RECALL HISTORY

Date reported	Data source	Affected part	Details
 Not reported			

VEHICLE ASSESSMENT ⁶

Overall Collision Safety Ratings

Driver's seat			Front passenger's seat		
Points	Evaluation	Goal average	Points	Evaluation	Goal average
28.03	★★★★★	78%	20.15	★★★★★	84%

* In order to accurately differentiate between the evaluations of different vehicles, a standard is set based on current technology. Up to 6 points out of 12 is given level 1 and the rest of the range is divided up into equal parts, which are respectively assigned to level 2 (more than 6 points but 7.5 or less), level 3 (more than 7.5 points but 9 or less), level 4 (more than 9 points but 10.5 or less) or level 5 (more than 10.5 points).

Braking performance tests ⁷

Dry road



44.2 m

Wet road



48.5 m

VEHICLE SPECIFICATION

1st gear ratio	3.461	2nd gear ratio	2.150
3rd gear ratio	1.464	4th gear ratio	1.078
5th gear ratio	1.093	6th gear ratio	0.921
Additional notes	-	Airbag position, capacity	-
Body rear overhang	-	Body type	BOX TYPE PASSENGER USE CAR

Chassis number embossing position	ENGINE ROOM TOOL INSIDE RIGHT SIDE	Classification code	1021,1022 1221,1222
Cylinders	4	Displacement	1980
Electric engine type	-	Electric engine maximum output	-
Electric engine maximum torque	-	Electric engine power	-
Engine maximum power	155/5300 ~ 6200(NET)	Engine maximum torque	280/1700 ~ 5200(NET)
Engine model	CCZ	Frame type	-
Front shaft weight	900 910	Front shock absorber type	-
Front stabilizer type	-	Front tires size	225/45 R17 91W 225/45 ZR17 91W 225/40 R18 92Y EXTRA OTHER1
Front tread	1.530 1.525	Fuel consumption	13.0
Fuel tank equipment	55	Grade	GTI
Height	1.460 1.495	Length	4.210
Main brakes type	HYDRAULIC TYPE DISK	Make	VOLKSWAGEN
Maximum speed	-	Minimum ground clearance	-
Minimum turning radius	-	Model	GOLF
Model code	ABA-1KCCZ	Mufflers number	-
Rear shaft weight	500	Rear shock absorber type	-
Rear stabilizer type	-	Rear tires size	225/45 R17 91W 225/45 ZR17 91W 225/40 R18 92Y EXTRA OTHER1
Rear tread	1.505 1.500	Reverse ratio	3.989
Riding capacity	5	Side brakes type	-
Specification code	16335	Stopping distance	9.55(100) 10.50(100)
Transmission type	AT	Weight	1400 1410

Wheel alignment	2WD	Wheelbase	2.575
Width	1.790		

AUCTION DATA

Date: 2023-06-09, Auction: USS Nagoya, Lot #: 25047

Date:	2023-06-09	Lot #:	25047
Auction name:	USS Nagoya	Region:	Aichi
Make:	VOLKSWAGEN	Model:	GOLF
Reg. year:	2011	Mileage (km):	78627
Displacement (cc):	2000	Transmission:	FA
Color:	WHITE	Model code:	1KCCZ
Result:	available	Auction grade:	4
Problem type:	No problem	Problem scale:	None
Contaminated:	No	Airbag:	OK

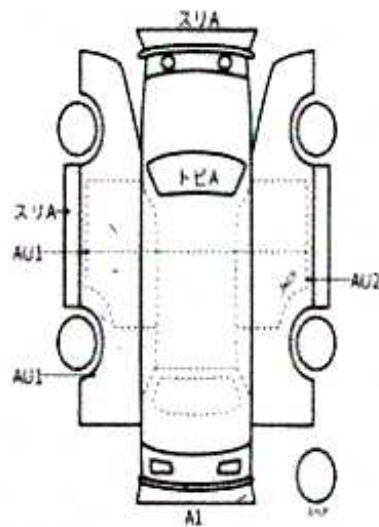
PHOTOS AND AUCTION SHEETS

輸入車@30コーナー

25047	車種 (国産車以外は輸入)	排気量	型式	年式
		2000	ABA-1KCCZ	4
初年度登録年月	車名	グレード	駆動	
H23/7月	フォルクスワーゲン ゴルフ	5D GTI	2WD	内装 C
車検	R 6年 7月 21日	シフト	FAT	特選部
走行	78,627 km	冷房	AAC	SR カワ
外色	白色	カラー		純正 TV
内装	ホワイト	カラー		PS ナビ
燃料	ガソリン	内装色		ナビ EPA
型式	輸入区分	ハンドル		
	ディーラー	右	月 日	
リサイクル 販売金	18,990円	乗車定員	5人	登録No.
○注意事項 (車種・年式・色・グレードにより異なります)				浜松 335 て 808
手、取、Sキー 後送				車台No.
				WVWZZZ1KZBW173269
				シリアルNo.

○検査員報告

- 天張タルミ
- ルーム内汚れキズ
- シートシミ
- Dミラーキズ
- ホイールキズ
- 小キズ小凹



【乗台内寸】約 x x (cm)
長さ 421 cm 幅 179 cm 高さ 146 cm





¹ Chassis number – a unique identification number of the vehicle in Japan (same as VIN in the USA or Europe)

² Title information:

Registered – qualified for driving in Japan

Deregistered Temporarily – not qualified for driving in Japan, usually a temporary title during the ownership change

Deregistered Completely – not qualified for driving in Japan, the vehicle is determined to be scrapped

Deregistered to Export – not qualified for driving in Japan, the vehicle is determined to be exported

³ Determining the overall collision safety performance evaluation – For the driver's seat, the results of the full-wrap frontal collision test, offset frontal collision test, and side collision test are added together and evaluated to 6 different levels. For the Frontal passenger's seat, the results of the full-wrap frontal collision test and the side collision test (results for the driver's or the front passenger's seat are used) are added together and evaluated to 6 different levels.

Regular vehicle inspection – All vehicles in Japan must undergo regular vehicle inspections (shaken). New cars need to be tested after three years, and then vehicles must be tested every two years thereafter. A vehicle inspection (shaken) is compulsory for all vehicles with an engine size over 250cc. It ensures that all vehicles on the road are properly maintained and safe to drive. The test also checks that vehicles have not been illegally modified; if they are found to have been modified, they are not allowed on the road.

⁴ Use in the contaminated regions – The Fukushima Daiichi nuclear disaster was a catastrophic failure at the Fukushima I Nuclear Power Plant on 11 March 2011, resulting in a meltdown of three of the plant's six nuclear reactors. As a result, some areas in the following prefectures were contaminated: Fukushima, Miyagi, Ibaraki, Tochigi.

⁵ Radioactive contamination test – radioactive contamination inspection that was started in July 2011 as a preventive measure for exporting contaminated vehicles from Japan. The inspection is being conducted since in all sea ports of Japan under the supervision of The Japan Harbor Transportation Association (JHTA).

MLIT – Ministry of Land, Infrastructure, Transport and Tourism.

⁶ Japan New Car Assessment Program – the Ministry of Land, Infrastructure, Transport and Tourism (MLIT) and the National Agency for Automotive Safety & Victims' Aid (NASVA) have taken measures for safety, one of which is to assess commercially available vehicles through a variety of safety performance tests and release the resulting information compiled into the "New Car Assessment Program". The objective of Japan New Car Assessment Program is to increase the use of safe automobiles by providing an environment in which users can easily select such vehicles. This also promotes the development of safer vehicles by automobile manufacturers. Neck injury protection for rear-end collision performance test, rear seat passenger's protection for frontal collision performance test, rear passenger's seat belt usability evaluation test and seat belt reminder for passengers evaluation test are started in FY2009.

⁷ Braking Performance Tests – Braking performance is determined by the shortness of the distance in which a vehicle can stop and the stability of the vehicle at the time of braking. This test is performed under wet and dry road conditions for a vehicle which has both a driver and a front passenger. The distance it takes for the vehicle to stop and the stability of the vehicle at the time of braking is evaluated for when the vehicle is stopped abruptly while traveling at a speed of 100km/h. The stopping distance and vehicle speed have been measured by using GPS since FY2009.

CAR VX, LTD DEPENDS ON ITS SOURCES FOR THE ACCURACY AND RELIABILITY OF ITS INFORMATION. THEREFORE, NO RESPONSIBILITY IS ASSUMED BY CAR VX, LTD OR ITS AGENTS FOR ERRORS OR OMISSIONS IN THIS REPORT. CAR VX, LTD FURTHER EXPRESSLY DISCLAIMS ALL WARRANTIES, EXPRESS OR IMPLIED, INCLUDING ANY IMPLIED WARRANTIES OF MERCHANTABILITY OR FITNESS FOR A PARTICULAR PURPOSE.

© 2014-2023 Car VX Limited. All rights reserved.