



Vehicle History Report

VEHICLE DETAILS

Chassis number ¹: ANH20-8107772

Manufacture date: 2010-02

Make: TOYOTA

Model: VELLFIRE

Body: DBA-ANH20W

Grade: 2.4Z PLATINUM SELECTION

Engine: 2AZ

Drive: 2WD

Transmission: AT

Title information ²:  **Registered** 

Accident / Repair:  **No problem** 

Odometer rollback:  **No problem** 

Manufacturer recall:  **No problem** 

Safety grade ³:  **★★★★★** 

Contamination risk:  **No problem** 

This vehicle does not qualify for Buyback Guarantee

Average Market Price



Unfortunately, this vehicle does not qualify for our Buyback Guarantee program.



¥0

[About Buyback Guarantee](#)

This CAR VX Vehicle History Report is based only on Information supplied to CAR VX, LTD and available as of 2023-09-01 00:30:53. Other information about this vehicle, including problems, may not have been reported to CAR VX, LTD . Use this report as one important tool, along with a vehicle inspection and test drive, to make a better decision about your next used car.

ACCIDENT / REPAIR HISTORY

Problem type	Reported	Date reported	Data source	Details	Airbag
Collision	Not reported				
Malfunction	Not reported				
Theft	Not reported				
Fire damage	Not reported				
Water damage	Not reported				
Hail damage	Not reported				

ODOMETER READINGS HISTORY

Date reported	Data source	Odometer reading (Km)
2021-03-18	MLIT	53200
2023-03-27	MLIT	58200
2023-08-24	USS Tokyo	58774

USE HISTORY


Use in the contaminated regions ⁴	Radioactive contamination test fail ⁵	Commercial use
Not reported	Not reported	Not reported

DETAILED HISTORY

Event date	Location	Odometer reading (Km)	Data source	Details
2010-02			TOYOTA	Manufactured
2010-02			MLIT	First registration
2017-03-24	Hachioji		MLIT	Last registration
2021-03-18		53200	MLIT	Inspection
2023-03-27	Hachioji	58200	MLIT	Inspection

MANUFACTURER RECALL HISTORY

Date reported	Data source	Affected part	Details
---------------	-------------	---------------	---------

 Not reported



VEHICLE ASSESSMENT ⁶

Overall Collision Safety Ratings

Driver's seat			Front passenger's seat		
Points	Evaluation	Goal average	Points	Evaluation	Goal average
34.46	★★★★★	96%	23.51	★★★★★	98%

* In order to accurately differentiate between the evaluations of different vehicles, a standard is set based on current technology. Up to 6 points out of 12 is given level 1 and the rest of the range is divided up into equal parts, which are respectively assigned to level 2 (more than 6 points but 7.5 or less), level 3 (more than 7.5 points but 9 or less), level 4 (more than 9 points but 10.5 or less) or level 5 (more than 10.5 points).

Braking performance tests ⁷

Dry road		41.7 m
Wet road		47.1 m

VEHICLE SPECIFICATION

1st gear ratio	2.396 ~ 0.428(MANUAL MODE ATTACHING): CONTINUOUSLY VARIABLE TRANSMISSION	2nd gear ratio	-
3rd gear ratio	-	4th gear ratio	-
5th gear ratio	-	6th gear ratio	-
Additional notes	NFXSK	Airbag position, capacity	-
Body rear overhang	1015	Body type	STATION WAGON

Chassis number embossing position	FRONT FLOOR CROSSMEMBER RIGHT SIDE ON SURFACE	Classification code	0104
Cylinders	4	Displacement	2360
Electric engine type	-	Electric engine maximum output	-
Electric engine maximum torque	-	Electric engine power	-
Engine maximum power	125/6000(NET)	Engine maximum torque	224/4000(NET)
Engine model	2AZ	Frame type	SOLID STRUCTURE
Front shaft weight	1060	Front shock absorber type	
Front stabilizer type	TORSION BAR TYPE	Front tires size	215/60R17 96H 235/50R18 97V
Front tread	1.555	Fuel consumption	11.6
Fuel tank equipment	65	Grade	2.4Z PLATINUM SELECTION
Height	1.900	Length	4.865
Main brakes type	HYDRAULIC TYPE, FRONT: DISK BACK: DISK	Make	TOYOTA
Maximum speed	180	Minimum ground clearance	0.170
Minimum turning radius	5.9	Model	VELLFIRE
Model code	DBA-ANH20W	Mufflers number	
Rear shaft weight	870	Rear shock absorber type	
Rear stabilizer type	-	Rear tires size	215/60R17 96H 235/50R18 97V
Rear tread	1.560	Reverse ratio	1.668
Riding capacity	7	Side brakes type	

Specification code	16086	Stopping distance	50(100)
Transmission type	AT	Weight	1930
Wheel alignment	2WD	Wheelbase	2.950
Width	1.840		

AUCTION DATA

Date: 2023-08-24, Auction: USS Tokyo, Lot #: 26445

Date:	2023-08-24	Lot #:	26445
Auction name:	USS Tokyo	Region:	Chiba
Make:	TOYOTA	Model:	VELLFIRE
Reg. year:	2010	Mileage (km):	58774
Displacement (cc):	2400	Transmission:	IA
Color:	BLACK	Model code:	ANH20W
Result:	available	Auction grade:	4
Problem type:	No problem	Problem scale:	None
Contaminated:	No	Airbag:	OK

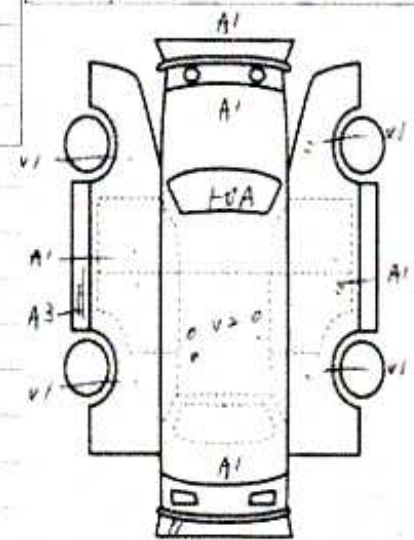
PHOTOS AND AUCTION SHEETS

プライムコーナー

-26445	車種 (自家用以外は記入)	排気量	型式	評価点
		2,400cc	DBA-ANH20W	
	初年度登録年月 車名	型式グレード	2WD	4
	22/12月 ヴェルファイア	2.4Z	AWD	
	22/12月 ヴェルファイア	5077414172	AWD	内装 B
車検	R7年3月	シフト	IAT	燃費
走行	58,774 Km	冷房	AAC	AWD
外 色	色種	カラー	メーカ	AWD
色	777	202	カワ	AWD
燃料	ガソリン	内 色	有・無	AWD
			★ユーザー買取車	
			★保証(1年7-スライトドア)	
輸入車	輸入区分	ハンドル	月 日	
	ディーラー並行	左・右	★71-777777-9-	
リサイクル 廃託金	18290円	乗車定員	7人	登録No
				15子 330 止 7897
◎注意事項 (検査・不具合箇所および注意)	車台No ANH20-810772			
	シリアルNo			
	★ネット2024AW			

検査員報告 (USS使用欄)

- 11.11.11 システム
- 11.11.11 内装検査
- 9.9.9.9 ベンチ
- AW検査
- F337-9x
- 各検査



【荷台内寸】 長さ x 幅 x 高さ (cm) (車検証上の寸法) x x x





¹ Chassis number – a unique identification number of the vehicle in Japan (same as VIN in the USA or Europe)

² Title information:

Registered – qualified for driving in Japan

Deregistered Temporarily – not qualified for driving in Japan, usually a temporary title during the ownership change

Deregistered Completely – not qualified for driving in Japan, the vehicle is determined to be scrapped

Deregistered to Export – not qualified for driving in Japan, the vehicle is determined to be exported

³ Determining the overall collision safety performance evaluation – For the driver's seat, the results of the full-wrap frontal collision test, offset frontal collision test, and side collision test are added together and evaluated to 6 different levels. For the Frontal passenger's seat, the results of the full-wrap frontal collision test and the side collision test (results for the driver's or the front passenger's seat are used) are added together and evaluated to 6 different levels.

Regular vehicle inspection – All vehicles in Japan must undergo regular vehicle inspections (shaken). New cars need to be tested after three years, and then vehicles must be tested every two years thereafter. A vehicle inspection (shaken) is compulsory for all vehicles with an engine size over 250cc. It ensures that all vehicles on the road are properly maintained and safe to drive. The test also checks that vehicles have not been illegally modified; if they are found to have been modified, they are not allowed on the road.

⁴ Use in the contaminated regions – The Fukushima Daiichi nuclear disaster was a catastrophic failure at the Fukushima I Nuclear Power Plant on 11 March 2011, resulting in a meltdown of three of the plant's six nuclear reactors. As a result, some areas in the following prefectures were contaminated: Fukushima, Miyagi, Ibaraki, Tochigi.

⁵ Radioactive contamination test – radioactive contamination inspection that was started in July 2011 as a preventive measure for exporting contaminated vehicles from Japan. The inspection is being conducted since in all sea ports of Japan under the supervision of The Japan Harbor Transportation Association (JHTA).

MLIT – Ministry of Land, Infrastructure, Transport and Tourism.

⁶ Japan New Car Assessment Program – the Ministry of Land, Infrastructure, Transport and Tourism (MLIT) and the National Agency for Automotive Safety & Victims' Aid (NASVA) have taken measures for safety, one of which is to assess commercially available vehicles through a variety of safety performance tests and release the resulting information compiled into the "New Car Assessment Program". The objective of Japan New Car Assessment Program is to increase the use of safe automobiles by providing an environment in which users can easily select such vehicles. This also promotes the development of safer vehicles by automobile manufacturers. Neck injury protection for rear-end collision performance test, rear seat passenger's protection for frontal collision performance test, rear passenger's seat belt usability evaluation test and seat belt reminder for passengers evaluation test are started in FY2009.

⁷ Braking Performance Tests – Braking performance is determined by the shortness of the distance in which a vehicle can stop and the stability of the vehicle at the time of braking. This test is performed under wet and dry road conditions for a vehicle which has both a driver and a front passenger. The distance it takes for the vehicle to stop and the stability of the vehicle at the time of braking is evaluated for when the vehicle is stopped abruptly while traveling at a speed of 100km/h. The stopping distance and vehicle speed have been measured by using GPS since FY2009.

CAR VX, LTD DEPENDS ON ITS SOURCES FOR THE ACCURACY AND RELIABILITY OF ITS INFORMATION. THEREFORE, NO RESPONSIBILITY IS ASSUMED BY CAR VX, LTD OR ITS AGENTS FOR ERRORS OR OMISSIONS IN THIS REPORT. CAR VX, LTD FURTHER EXPRESSLY DISCLAIMS ALL WARRANTIES, EXPRESS OR IMPLIED, INCLUDING ANY IMPLIED WARRANTIES OF MERCHANTABILITY OR FITNESS FOR A PARTICULAR PURPOSE.

© 2014-2023 Car VX Limited. All rights reserved.