



Vehicle History Report

VEHICLE DETAILS

Chassis number ¹: TE52-005106

Manufacture date: 2010-09

Make: NISSAN

Model: ELGRAND

Body: DBA-TE52

Grade: 250 HIGHWAY STAR

Engine: QR25

Drive: 2WD

Transmission: AT

Title information ²:



Deregistered
Temporarily



Accident / Repair:



No problem



Odometer
rollback:



No problem



Manufacturer
recall:



No problem



Safety grade ³:



★★★★★



Contamination
risk:



No problem



This vehicle does not qualify for Buyback Guarantee

Average Market Price



Unfortunately, this vehicle does not qualify for our Buyback Guarantee program.



¥0

[About Buyback Guarantee](#)

This CAR VX Vehicle History Report is based only on Information supplied to CAR VX, LTD and available as of 2023-09-01 00:35:01. Other information about this vehicle, including problems, may not have been reported to CAR VX, LTD . Use this report as one important tool, along with a vehicle inspection and test drive, to make a better decision about your next used car.

ACCIDENT / REPAIR HISTORY

Problem type	Reported	Date reported	Data source	Details	Airbag
Collision	Not reported				
Malfunction	Not reported				
Theft	Not reported				
Fire damage	Not reported				
Water damage	Not reported				
Hail damage	Not reported				

ODOMETER READINGS HISTORY

Date reported	Data source	Odometer reading (Km)
2019-09-24	MLIT	64900
2021-10-05	MLIT	81500
2023-08-24	MIRIVE Osaka	95820


USE HISTORY

Use in the contaminated regions ⁴	Radioactive contamination test fail ⁵	Commercial use
Not reported	Not reported	Not reported

DETAILED HISTORY

Event date	Location	Odometer reading (Km)	Data source	Details
2010-09			NISSAN	Manufactured
2010-09			MLIT	First registration
2019-09-24		64900	MLIT	Inspection
2021-10-05	Himeji	81500	MLIT	Inspection
2023-08-17	Himeji		MLIT	Last registration

MANUFACTURER RECALL HISTORY

Date reported	Data source	Affected part	Details
 Not reported			

VEHICLE ASSESSMENT ⁶

Overall Collision Safety Ratings

Driver's seat			Front passenger's seat		
Points	Evaluation	Goal average	Points	Evaluation	Goal average
35.37	★★★★★	98%	23.33	★★★★★	97%

* In order to accurately differentiate between the evaluations of different vehicles, a standard is set based on current technology. Up to 6 points out of 12 is given level 1 and the rest of the range is divided up into equal parts, which are respectively assigned to level 2 (more than 6 points but 7.5 or less), level 3 (more than 7.5 points but 9 or less), level 4 (more than 9 points but 10.5 or less) or level 5 (more than 10.5 points).

Braking performance tests ⁷

Dry road



40.5 m

Wet road



43.4 m

VEHICLE SPECIFICATION

1st gear ratio

2.349 ~ 0.394(MANUAL MODE ATTACHING)

2nd gear ratio

-

3rd gear ratio

-

4th gear ratio

-

5th gear ratio

-

6th gear ratio

-

Additional notes

-

Airbag position, capacity

-

Body rear overhang

1020

Body type

STATION WAGON

Chassis number embossing position	FRONT FLOOR PANEL RIGHT SIDE	Classification code	0008
Cylinders	4	Displacement	2480
Electric engine type	-	Electric engine maximum output	-
Electric engine maximum torque	-	Electric engine power	-
Engine maximum power	125/5600(NET)	Engine maximum torque	245/3900(NET)
Engine model	QR25	Frame type	SOLID STRUCTURE
Front shaft weight	1030	Front shock absorber type	
Front stabilizer type	TORSION BAR TYPE	Front tires size	225/55R18 98V
Front tread	1.600	Fuel consumption	11.6
Fuel tank equipment	73	Grade	250 HIGHWAY STAR
Height	1.815	Length	4.915
Main brakes type	HYDRAULIC TYPE, FRONT: DISK BACK: DISK	Make	NISSAN
Maximum speed	180	Minimum ground clearance	0.150
Minimum turning radius	5.7	Model	ELGRAND
Model code	DBA-TE52	Mufflers number	
Rear shaft weight	890	Rear shock absorber type	
Rear stabilizer type	TORSION BAR TYPE -	Rear tires size	225/55R18 98V
Rear tread	1.600	Reverse ratio	1.750
Riding capacity	7	Side brakes type	
Specification code	16576	Stopping distance	50(100)
Transmission type	AT	Weight	1920
Wheel alignment	2WD	Wheelbase	3.000
Width	1.850		

AUCTION DATA

Date: 2023-08-24, Auction: MIRIVE Osaka, Lot #: 70163

Date:	2023-08-24	Lot #:	70163
Auction name:	MIRIVE Osaka	Region:	Osaka
Make:	NISSAN	Model:	ELGRAND
Reg. year:	2010	Mileage (km):	95820
Displacement (cc):	2500	Transmission:	AT
Color:	BLACK	Model code:	TE52
Result:	sold	Auction grade:	4
Problem type:	No problem	Problem scale:	None
Contaminated:	No	Airbag:	OK

PHOTOS AND AUCTION SHEETS

MIRIVE 出品票

[1892]
70163
大阪

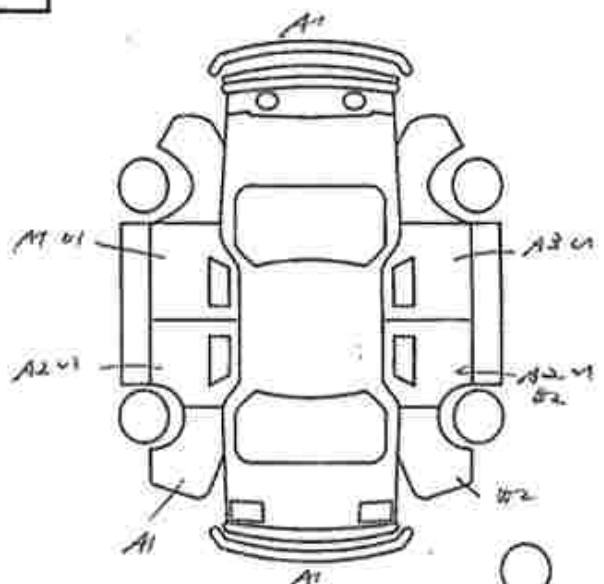
初年度登録	車名	ドア	グレード	駆動	評価点
H22.9	エルブランド		ハイウェイスター	4WD	
西暦	車歴	型式	排気量	保証書	定員
2010		DBA - TE52	2,500	有・無	7

走行	S#	車種	色 (Col.No)	燃料	外装	内装
95	820		ブラック	◎・D・電気	C	C

シフト	エアコン	リサイクル箱	純正装備品	ナビ	DTV
AT	AAC	16,190	(PS) (PW) (AW) (エア) (ABS) 革 SR		

名義期間	セールスポイント
月	★社外ナビ
日	★バックモニター
輸入車	★フリップダウンモニター
ディーラー・並行	★両側パワースライドドア
左H・右H	★インテリジェントキー
	★ETC

< 検査員記入欄 >
 Fガラス (キズ・飛石・ヒビ・リペア跡・X要)
 内装 (キズ・スレ・汚れ・シミ・コゲ・穴・キレ・破れ・割れ)
 オーディオ (無し・穴) / タイヤ (スタッドレス)
 右Rドア・ハンドル破
 スマートキー車内



キーロック
 ホイル・CPキズワレ / ドアミラーキズワレ
 小キズ有 (小キズ) 補修有

車種	ナビ	OM/SD	ACC	リモコン	登録番号
ナンバー	スペアキー	キーレス	スマートキー		005106









¹ Chassis number – a unique identification number of the vehicle in Japan (same as VIN in the USA or Europe)

² Title information:

Registered – qualified for driving in Japan

Deregistered Temporarily – not qualified for driving in Japan, usually a temporary title during the ownership change

Deregistered Completely – not qualified for driving in Japan, the vehicle is determined to be scrapped

Deregistered to Export – not qualified for driving in Japan, the vehicle is determined to be exported

³ Determining the overall collision safety performance evaluation – For the driver's seat, the results of the full-wrap frontal collision test, offset frontal collision test, and side collision test are added together and evaluated to 6 different levels. For the Frontal passenger's seat, the results of the full-wrap frontal collision test and the side collision test (results for the driver's or the front passenger's seat are used) are added together and evaluated to 6 different levels.

Regular vehicle inspection – All vehicles in Japan must undergo regular vehicle inspections (shaken). New cars need to be tested after three years, and then vehicles must be tested every two years thereafter. A vehicle inspection (shaken) is compulsory for all vehicles with an engine size over 250cc. It ensures that all vehicles on the road are properly maintained and safe to drive. The test also checks that vehicles have not been illegally modified; if they are found to have been modified, they are not allowed on the road.

⁴ Use in the contaminated regions – The Fukushima Daiichi nuclear disaster was a catastrophic failure at the Fukushima I Nuclear Power Plant on 11 March 2011, resulting in a meltdown of three of the plant's six nuclear reactors. As a result, some areas in the following prefectures were contaminated: Fukushima, Miyagi, Ibaraki, Tochigi.

⁵ Radioactive contamination test – radioactive contamination inspection that was started in July 2011 as a preventive measure for exporting contaminated vehicles from Japan. The inspection is being conducted since in all sea ports of Japan under the supervision of The Japan Harbor Transportation Association (JHTA).

MLIT – Ministry of Land, Infrastructure, Transport and Tourism.

⁶ Japan New Car Assessment Program – the Ministry of Land, Infrastructure, Transport and Tourism (MLIT) and the National Agency for Automotive Safety & Victims' Aid (NASVA) have taken measures for safety, one of which is to assess commercially available vehicles through a variety of safety performance tests and release the resulting information compiled into the "New Car Assessment Program". The objective of Japan New Car Assessment Program is to increase the use of safe automobiles by providing an environment in which users can easily select such vehicles. This also promotes the development of safer vehicles by automobile manufacturers. Neck injury protection for rear-end collision performance test, rear seat passenger's protection for frontal collision performance test, rear passenger's seat belt usability evaluation test and seat belt reminder for passengers evaluation test are started in FY2009.

⁷ Braking Performance Tests – Braking performance is determined by the shortness of the distance in which a vehicle can stop and the stability of the vehicle at the time of braking. This test is performed under wet and dry road conditions for a vehicle which has both a driver and a front passenger. The distance it takes for the vehicle to stop and the stability of the vehicle at the time of braking is evaluated for when the vehicle is stopped abruptly while traveling at a speed of 100km/h. The stopping distance and vehicle speed have been measured by using GPS since FY2009.

CAR VX, LTD DEPENDS ON ITS SOURCES FOR THE ACCURACY AND RELIABILITY OF ITS INFORMATION. THEREFORE, NO RESPONSIBILITY IS ASSUMED BY CAR VX, LTD OR ITS AGENTS FOR ERRORS OR OMISSIONS IN THIS REPORT. CAR VX, LTD FURTHER EXPRESSLY DISCLAIMS ALL WARRANTIES, EXPRESS OR IMPLIED, INCLUDING ANY IMPLIED WARRANTIES OF MERCHANTABILITY OR FITNESS FOR A PARTICULAR PURPOSE.

© 2014-2023 Car VX Limited. All rights reserved.